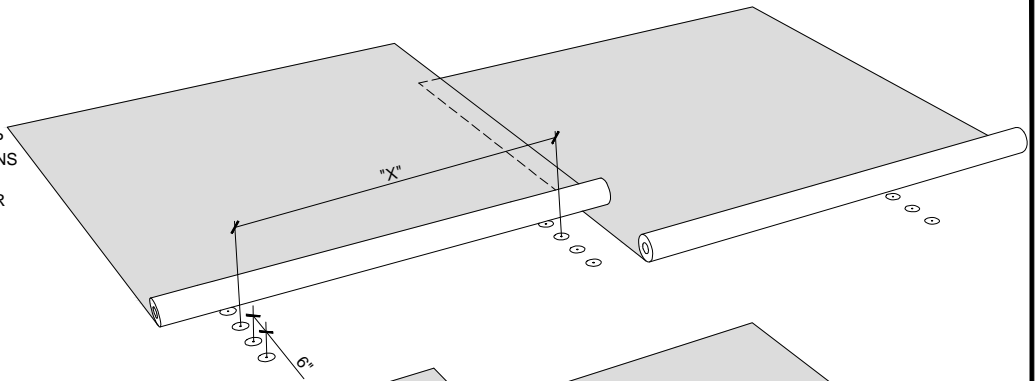


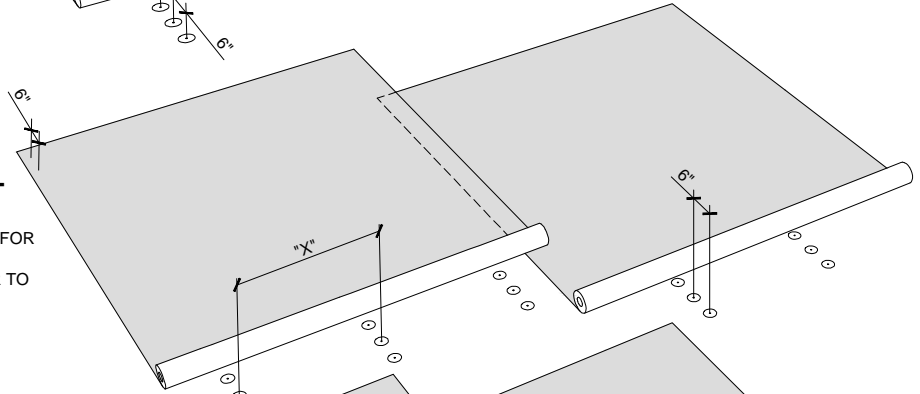
FIELD (6)

- ENSURE FASTENER ENGAGES THE TOP FLANGE FOR STEEL DECK APPLICATIONS
- ENSURE FASTENER ROWS ARE PERPENDICULAR TO DECK FLUTES FOR STEEL DECK APPLICATIONS



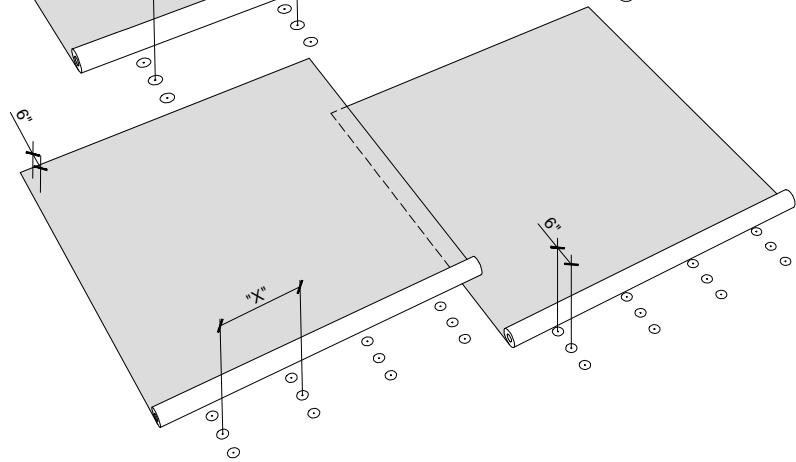
**PERIMETER
PRESCRIPTIVE ENHANCEMENT**

- NOMINAL 60% OF FIELD ROW SPACING
- ENSURE FASTENER ENGAGES THE TOP FLANGE FOR STEEL DECK APPLICATIONS
- ENSURE FASTENER ROWS ARE PERPENDICULAR TO DECK FLUTES FOR STEEL DECK APPLICATIONS




**CORNER
PRESCRIPTIVE ENHANCEMENT**

- NOMINAL 40% OF FIELD ROW SPACING
- ENSURE FASTENER ENGAGES THE TOP FLANGE FOR STEEL DECK APPLICATIONS
- ENSURE FASTENER ROWS ARE PERPENDICULAR TO DECK FLUTES FOR STEEL DECK APPLICATIONS



Zone	Fastener Spacing	Row Spacing (X)	Fasteners Per Square
Field	6in	60in	40
Perimeter	6in	36in	67
Corner	6in	24in	100

FASTENING PATTERNS AND ENHANCEMENTS SHOWN ARE FOR SOPREMA WARRANTY PURPOSES ONLY.

 <p>US CORPORATE ADDRESS 310 QUADRAL DRIVE WADSWORTH, OHIO 44281 www.soprema.us Tel:330.334.0066</p>	PROJECT:	DRAWN BY: SOPREMA TECHNICAL SUPPORT, GGALLOWAY		
	TITLE: INDUCTION WELDED PVC, 6" O.C. FASTENING PATTERN	NO.:	REVISION:	DATE:
		DATE: 6.4.2018	DRAWING NUMBER: US.FP.13.01	
		SCALE: NTS		

USAGE OF THIS DETAIL IS GOVERNED BY THE TERMS OF SERVICE FOR SOPREMA DETAILS.
PLEASE CONSULT THESE TERMS OF SERVICE PRIOR TO UTILIZING THIS DRAWING.