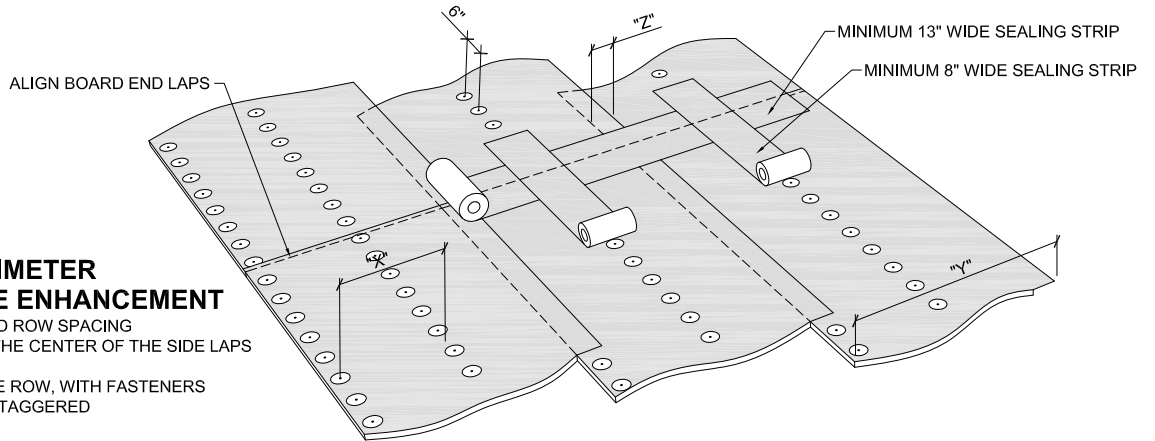


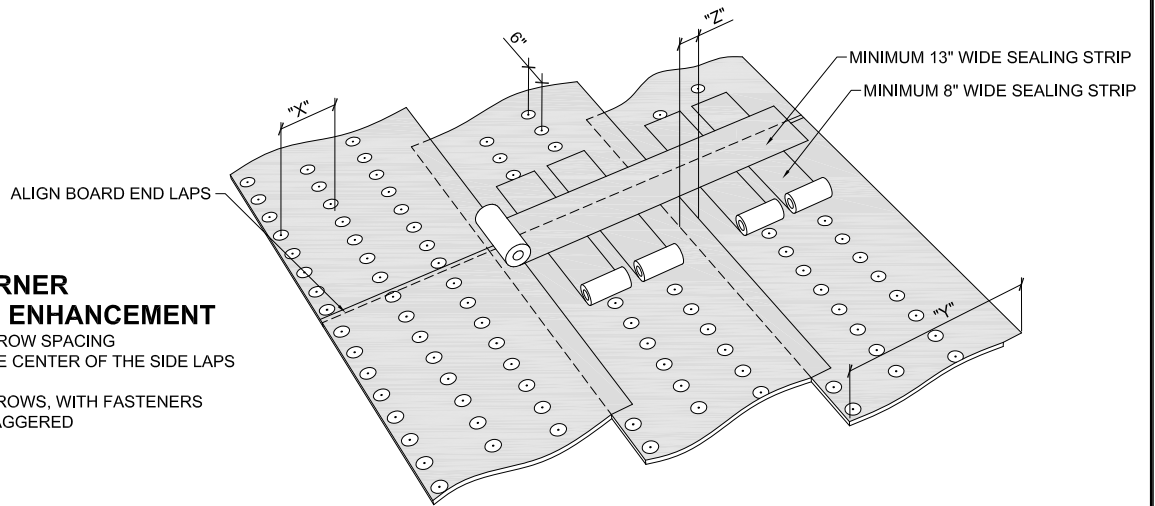
**FIELD (6)**

- ONE (1) ROW WITHIN THE CENTER OF THE SIDE LAPS SPACED 6" O.C.



**PERIMETER  
PRESCRIPTIVE ENHANCEMENT**

- NOMINAL 60% OF FIELD ROW SPACING
- ONE (1) ROW WITHIN THE CENTER OF THE SIDE LAPS SPACED 6" O.C.
- ONE (1) INTERMEDIATE ROW, WITH FASTENERS SPACED 6" O.C. AND STAGGERED



**CORNER  
PRESCRIPTIVE ENHANCEMENT**

- NOMINAL 40% OF FIELD ROW SPACING
- ONE (1) ROW WITHIN THE CENTER OF THE SIDE LAPS SPACED 6" O.C.
- TWO (2) INTERMEDIATE ROWS, WITH FASTENERS SPACED 6" O.C. AND STAGGERED

Roll Width (Y)	Lap Width (Z)	Zone	Pattern	Row Spacing (X)	Fasteners Per Square
39in (1m)	3in	Field	6	36in	67
		Perimeter	6,6	18in	134
		Corner	6,6,6	12in	200

FASTENING PATTERNS AND ENHANCEMENTS SHOWN ARE FOR SOPREMA WARRANTY PURPOSES ONLY.



US CORPORATE ADDRESS  
310 QUADRAL DRIVE  
WADSWORTH, OHIO 44281  
www.soprema.us  
Tel:330.334.0066

PROJECT:

TITLE:

**MECHANICALLY ATTACHED  
SBS LAMINATED COVERBOARD,  
6" O.C. IN LAP FASTENING PATTERN**

DRAWN BY: SOPREMA TECHNICAL SUPPORT, GGALLOWAY

NO.:

REVISION:

DATE:

DATE: 10.26.15

SCALE: NTS

DRAWING NUMBER:  
**US.FP.09.04**

USAGE OF THIS DETAIL IS GOVERNED BY THE TERMS OF SERVICE FOR SOPREMA DETAILS.  
PLEASE CONSULT THESE TERMS OF SERVICE PRIOR TO UTILIZING THIS DRAWING.