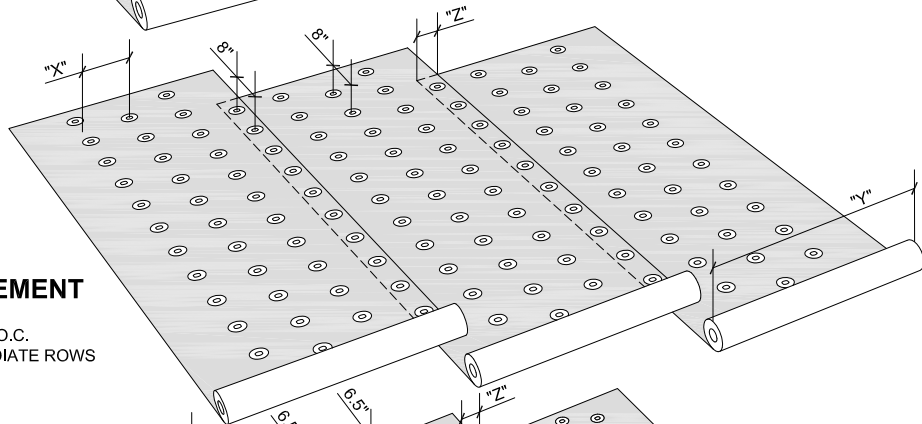


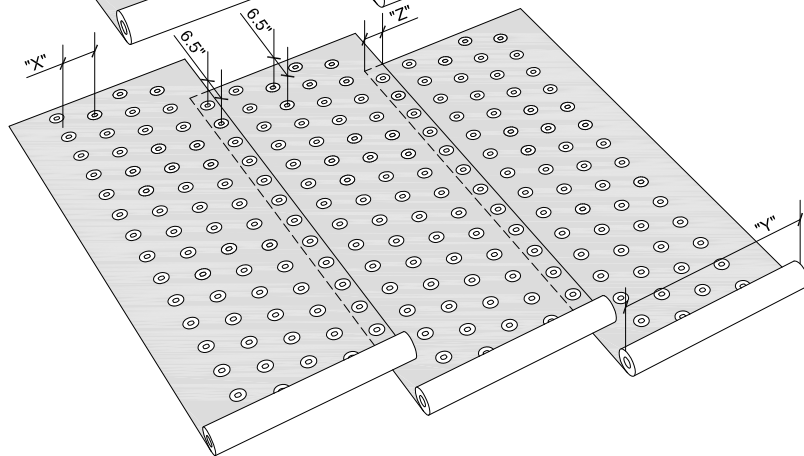
**FIELD (9,12,12)**

- ONE (1) ROW AT SIDE LAPS SPACED 9" O.C.
- TWO (2) EQUALLY SPACED INTERMEDIATE ROWS SPACED 12" O.C. AND STAGGERED



**PERIMETER PRESCRIPTIVE ENHANCEMENT**

- NOMINAL 70% INCREASE
- ONE (1) ROW AT SIDE LAPS SPACED 8" O.C.
- THREE (3) EQUALLY SPACED INTERMEDIATE ROWS SPACED 8" O.C. AND STAGGERED
- PRIME PLATES




**CORNER PRESCRIPTIVE ENHANCEMENT**

- NOMINAL 160% INCREASE
- ONE (1) ROW AT SIDE LAPS SPACED 6.5" O.C.
- FOUR (4) EQUALLY SPACED INTERMEDIATE ROWS SPACED 6.5" O.C. AND STAGGERED
- PRIME PLATES

Roll Width (Y)	Lap Width (Z)	Zone	Pattern	Row Spacing (X)	Fasteners Per Square
36in (0.9m)	2in	Field	9,12,12	11.33in	118
		Perimeter	8,8,8,8	8.5in	212
		Corner	6.5,6.5,6.5,6.5,6.5	6.8in	326
36in (0.9m)	3in	Field	9,12,12	11in	121
		Perimeter	8,8,8,8	8.25in	218
		Corner	6.5,6.5,6.5,6.5,6.5	6.6in	336
36in (0.9m)	4in	Field	9,12,12	10.67in	125
		Perimeter	8,8,8,8	8in	225
		Corner	6.5,6.5,6.5,6.5,6.5	6.4in	346
39in (1m)	3in	Field	9,12,12	12in	111
		Perimeter	8,8,8,8	9in	200
		Corner	6.5,6.5,6.5,6.5,6.5	7.2in	308
39in (1m)	4in	Field	9,12,12	11.67in	114
		Perimeter	8,8,8,8	8.75in	206
		Corner	6.5,6.5,6.5,6.5,6.5	7in	316

FASTENING PATTERNS AND ENHANCEMENTS SHOWN ARE FOR SOPREMA WARRANTY PURPOSES ONLY.

 <p>US CORPORATE ADDRESS 310 QUADRAL DRIVE WADSWORTH, OHIO 44281 www.soprema.us Tel:330.334.0066</p>	PROJECT:	DRAWN BY: SOPREMA TECHNICAL SUPPORT, GGALLOWAY		
	TITLE:	NO.:	REVISION:	DATE:
	<p><b>9,12,12 BASE SHEET FASTENING PATTERN</b></p>	DATE: 03.31.2014	<p>DRAWING NUMBER: <b>US.FP.01.08</b></p>	
		SCALE: NTS		

USAGE OF THIS DETAIL IS GOVERNED BY THE TERMS OF SERVICE FOR SOPREMA DETAILS. PLEASE CONSULT THESE TERMS OF SERVICE PRIOR TO UTILIZING THIS DRAWING.