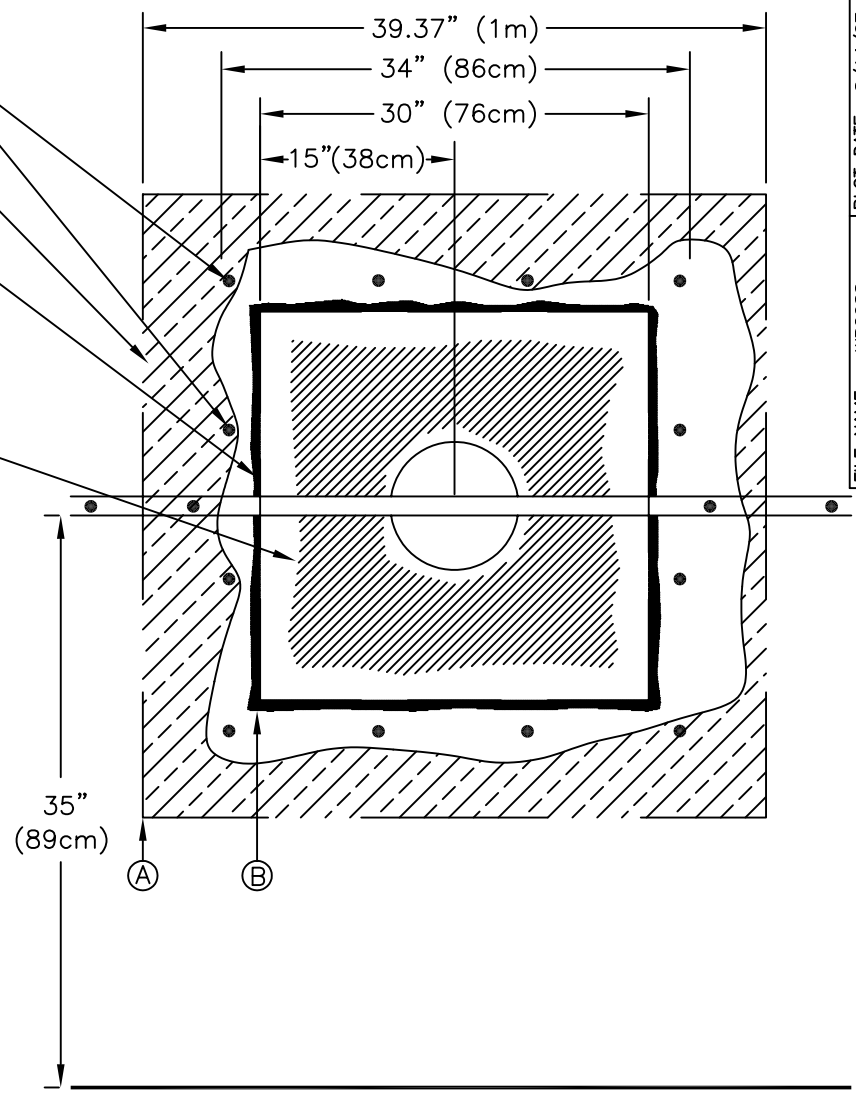
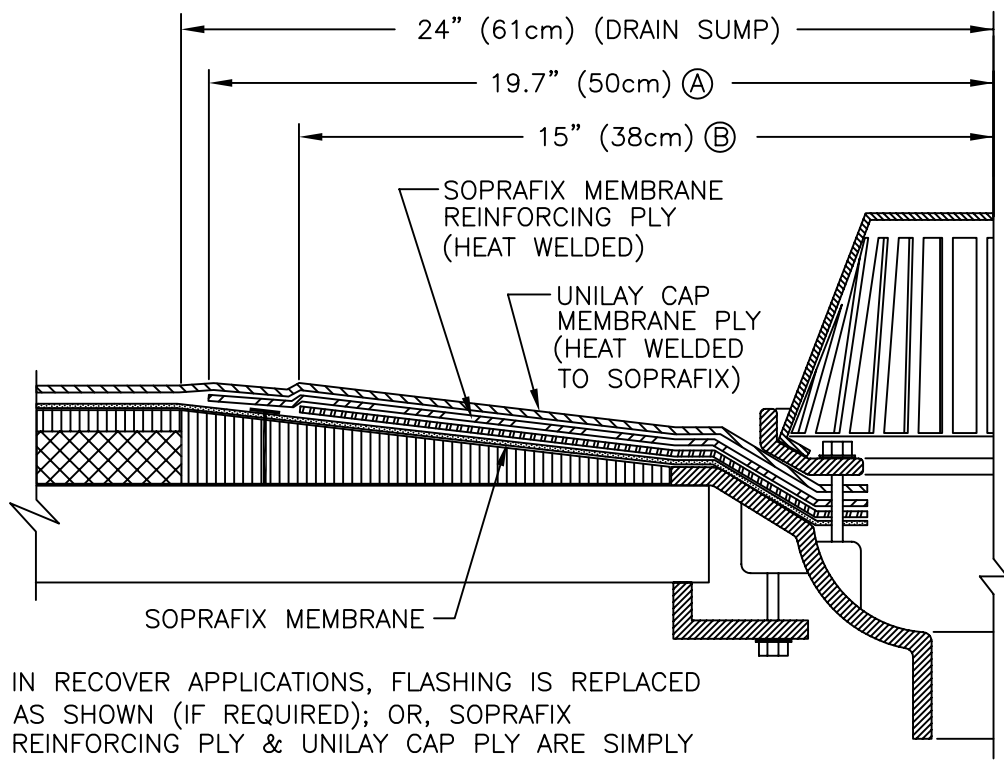


4 SOPRAFIX FASTENERS ON EACH 30" (76cm) SIDE OF LEAD FLASHING.

THIS REPRESENTS 39.37" (1m) x 39.37" (1m) STRIP-IN PLY OF SOPRAFIX MEMBRANE HEAT WELDED.

30" (75cm) SQUARE MINIMUM 2 1/2 LB. TO 4 LB. (1.2kg TO 1.8kg) LEAD OR 16 OZ. (0.5kg) COPPER FLASHING SET IN BED OF SOPREMA MASTIC, PRIME TOP SURFACE BEFORE INSTALLING REINFORCING PLY.

(PRIME LEAD)



IN RECOVER APPLICATIONS, FLASHING IS REPLACED AS SHOWN (IF REQUIRED); OR, SOPRAFIX REINFORCING PLY & UNILAY CAP PLY ARE SIMPLY INSTALLED OVER EXISTING & CLAMPED.

NOTES:

1. USE IN CONJUNCTION WITH SOPREMA GENERAL REQUIREMENTS AND APPROVED DETAILS WHILE CONSTRUCTING OTHER ROOF COMPONENTS TO EXCEED CURRENT EDITION REQUIREMENTS OF FM APPROVALS, SMACNA, NRCA, ANSI/SPRI ES-1 AND FLORIDA BUILDING CODE-RAS NO. 111 WITH THE MOST STRINGENT REQUIREMENTS OR RECOMMENDATIONS PREVAILING.
2. SOPREMA ADHESIVES, CEMENTS, MASTICS, PRIMERS AND SEALANTS ARE REQUIRED WHERE INDICATED.

		310 QUADRAL DRIVE WADSWORTH, OHIO 44281 (330) 334-0066	
TITLE UNILAY DRAIN			
SCALE NONE	DWN DMT	CHK GB	APPROVAL DATE 8/14/07
DRAWING NUMBER ULDR-001			REV 0

** USAGE OF THIS DRAWING IS GOVERNED BY THE TERMS OF SERVICE FOR SOPREMA DETAIL. PLEASE CONSULT THESE TERMS OF SERVICE PRIOR TO UTILIZING THIS DRAWING.