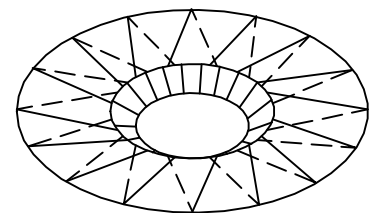


SOPREMA ALSAN RS MEMBRANE FINGER
FLASHING EXTENDED MINIMUM 4" (10cm)
INTO PREPARED & CLEANED DRAIN BOWL.

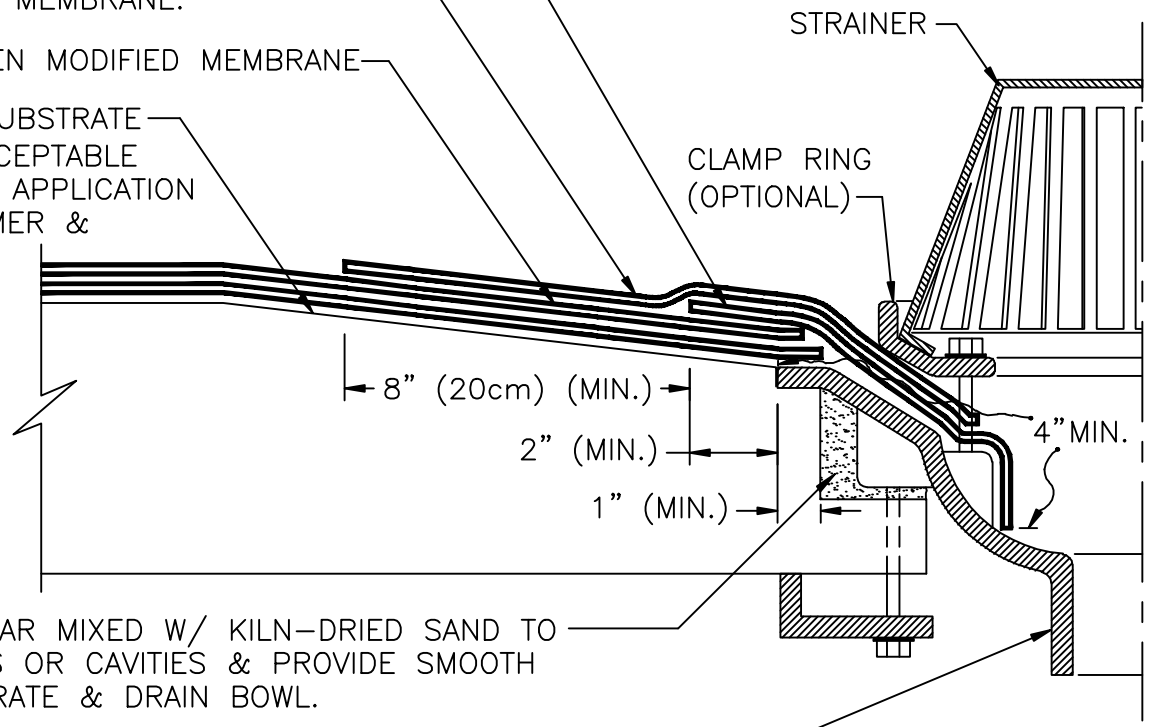
SOPREMA ALSAN RS MEMBRANE TARGET FLASHING
EXTEND FROM EDGE OF DRAIN BOWL ONTO
PREPARED AND CLEAN SBS MEMBRANE.

SOPREMA SBS 2-PLY BITUMEN MODIFIED MEMBRANE

PREPARE, LEVEL & PATCH SUBSTRATE
W/ ALSAN RS PASTE OR ACCEPTABLE
PATCHING MORTAR PRIOR TO APPLICATION
OF SOPREMA ALSAN RS PRIMER &
MEMBRANE (TYP.)



ISOMETRIC VIEW




ACCEPTABLE PATCHING MORTAR MIXED W/ KILN-DRIED SAND TO
SET DRAIN BOWL, FILL VOIDS OR CAVITIES & PROVIDE SMOOTH
TRANSITION BETWEEN SUBSTRATE & DRAIN BOWL.

ACCEPTABLE ROOF DRAIN ASSEMBLY PREPARE & PRIME DRAIN
BOWL AS REQ'D. FOR SOPREMA ALSAN RS MEMBRANE
APPLICATION.

NOTES:

1. DETAIL TO BE USED IN CONJUNCTION WITH SOPREMA GENERAL REQUIREMENTS, APPLICATION METHODS AND APPROVED DETAILS.

		310 QUADRAL DRIVE WADSWORTH, OHIO 44281 (330) 334-0066		
		TITLE ROOF DRAIN FLASHING OVER SBS FIELD MEMBRANE		
SCALE	NONE	DWN DMT	CHK MT	APPROVAL DATE 5/15/09
DRAWING NUMBER D-1a-RS			REV 0	

** USAGE OF THIS DRAWING IS GOVERNED BY THE TERMS OF SERVICE FOR SOPREMA DETAIL. PLEASE CONSULT THESE TERMS OF SERVICE PRIOR TO UTILIZING THIS DRAWING.