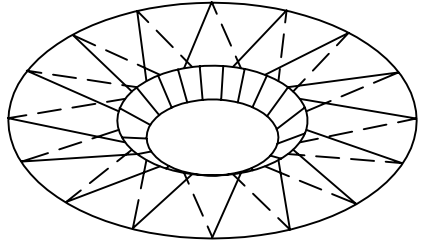


SOPREMA ALSAN RS MEMBRANE FINGER
FLASHING EXTENDED MINIMUM 4" (10cm)
INTO PREPARED & CLEANED DRAIN BOWL.

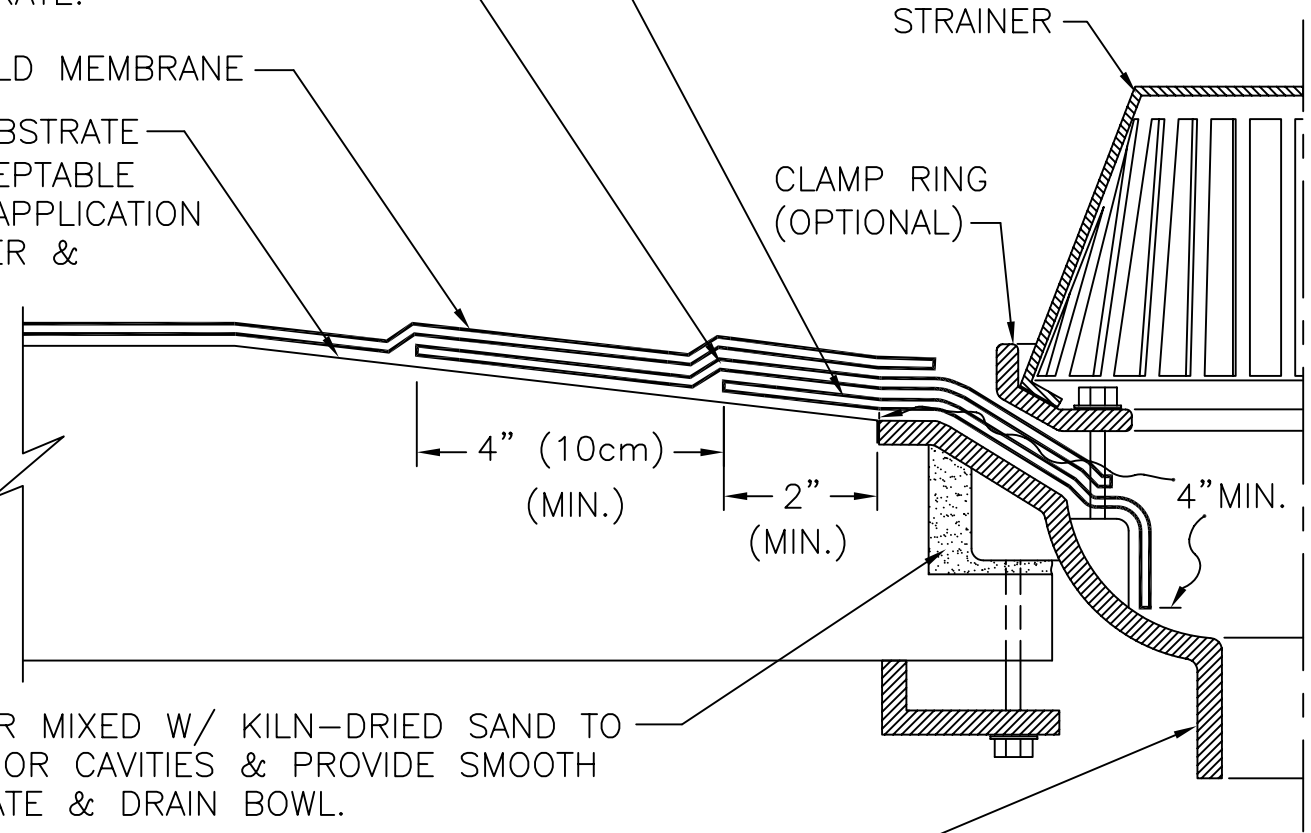
SOPREMA ALSAN RS MEMBRANE TARGET FLASHING
EXTEND FROM EDGE OF DRAIN BOWL ONTO
PREPARED & PRIMED SUBSTRATE.

SOPREMA ALSAN RS FIELD MEMBRANE

PREPARE, LEVEL & PATCH SUBSTRATE
W/ ALSAN RS PASTE OR ACCEPTABLE
PATCHING MORTAR PRIOR TO APPLICATION
OF SOPREMA ALSAN RS PRIMER &
MEMBRANE (TYP.)



ISOMETRIC VIEW



ACCEPTABLE PATCHING MORTAR MIXED W/ KILN-DRIED SAND TO
SET DRAIN BOWL, FILL VOIDS OR CAVITIES & PROVIDE SMOOTH
TRANSITION BETWEEN SUBSTRATE & DRAIN BOWL.

ACCEPTABLE ROOF DRAIN ASSEMBLY PREPARE & PRIME DRAIN
BOWL AS REQ'D. FOR SOPREMA ALSAN RS MEMBRANE
APPLICATION.

NOTES:

- 1. DETAIL TO BE USED IN CONJUNCTION WITH SOPREMA GENERAL REQUIREMENTS, APPLICATION METHODS AND APPROVED DETAILS.

		310 QUADRAL DRIVE WADSWORTH, OHIO 44281 (330) 334-0066	
		TITLE ROOF DRAIN FLASHING	
SCALE	DWN	CHK	APPROVAL DATE
NONE	DMT	MT	5/30/07
DRAWING NUMBER			REV
D-1-RS			0

** USAGE OF THIS DRAWING IS GOVERNED BY THE TERMS OF SERVICE FOR SOPREMA DETAIL. PLEASE CONSULT THESE TERMS OF SERVICE PRIOR TO UTILIZING THIS DRAWING.