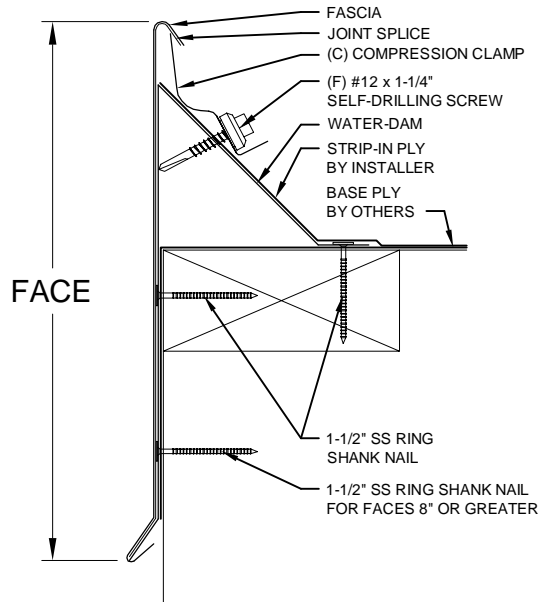
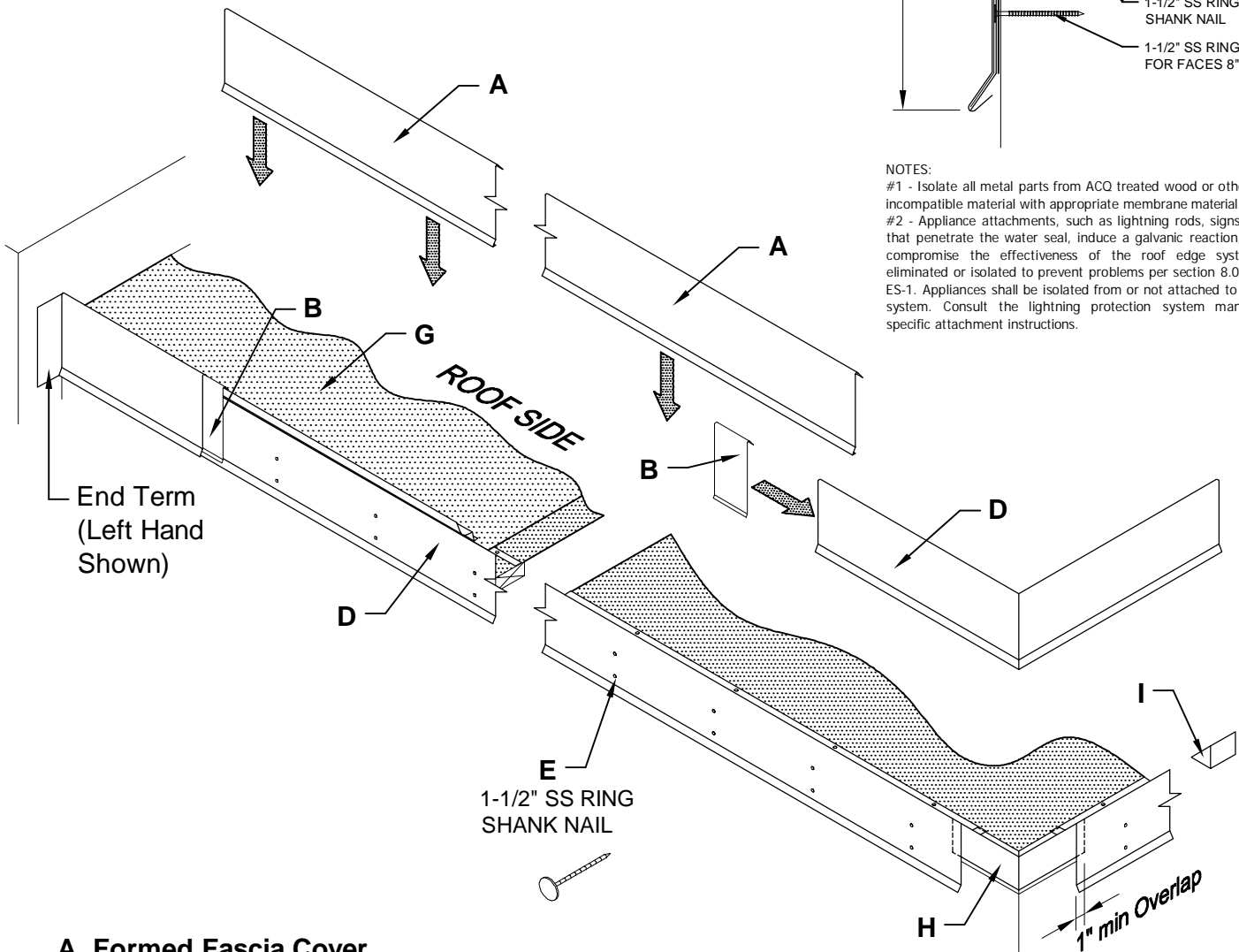




Installation Guide for SopraGuard Gravel Stop

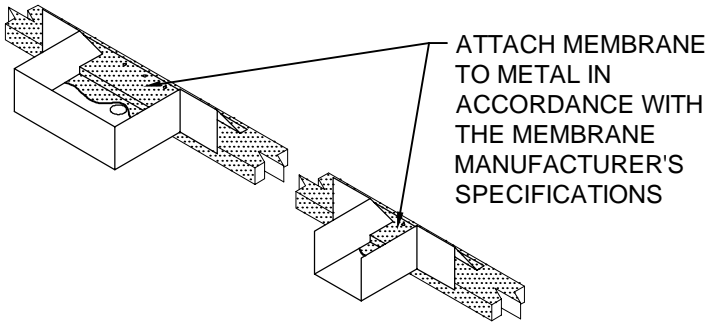
ANSI/SPRI
ES-1 TESTED



NOTES:
 #1 - Isolate all metal parts from ACQ treated wood or other galvanically incompatible material with appropriate membrane material.
 #2 - Appliance attachments, such as lightning rods, signs, or antennae that penetrate the water seal, induce a galvanic reaction, or otherwise compromise the effectiveness of the roof edge system, shall be eliminated or isolated to prevent problems per section 8.0 of ANSI/SPRI ES-1. Appliances shall be isolated from or not attached to the roof edge system. Consult the lightning protection system manufacturer for specific attachment instructions.

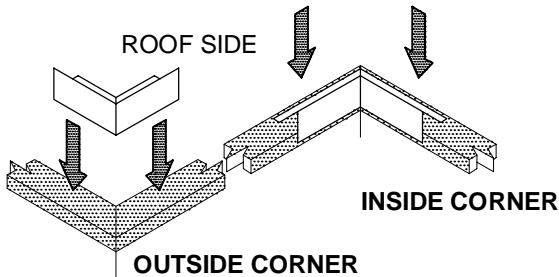
- A. Formed Fascia Cover**
10'-0" Lengths
- B. Concealed Joint Splice**
4" Lengths
- C. Formed Compression Clamp**
10'-0" Lengths
- D. Formed Galvanized Water-Dam**
10'-0" Lengths
- E. 1-1/2" SS Ring Shank Nail**
at 12"OC (6" from ends)
(Included & Required)

- F. #12 x 1-1/4" Galvanized Self-Drilling Screw**
at 18"OC (6" from ends)
(Included & Required)
- G. Built-up or Modified Roofing**
(By Installer)
- H. Corner Support (Outside)**
At All Inside and Outside Corners
- I. Leveling Angle**
Sets Proper Height for Water-Dam



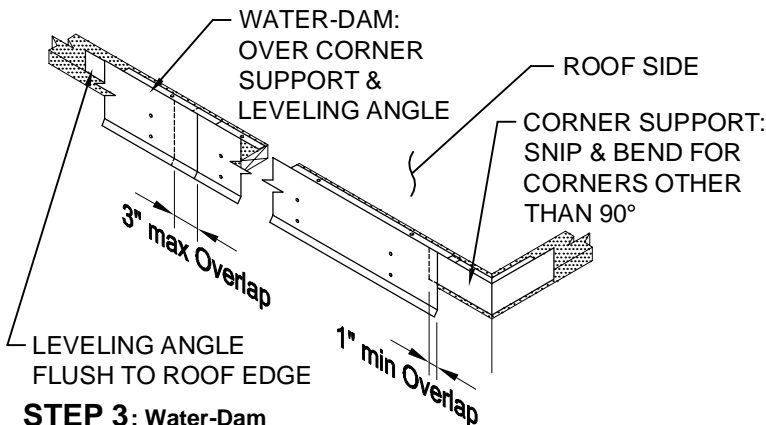
STEP 1: Consider Sump Core & Spillout Locations

Locate sump cores where downspouts will be located. Sump cores and spillouts are installed prior to the water-dam. The water-dam sections will install over the ears on the sump cores and spillouts. Refer to "Spillout & Sump Core Install Guides" for more info on installation if necessary.



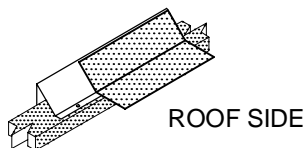
STEP 2: Corner Supports

Locate water-dam corner supports at each corner location and fasten in place using the 1-1/2" ss ring shank nails provided.



STEP 3: Water-Dam

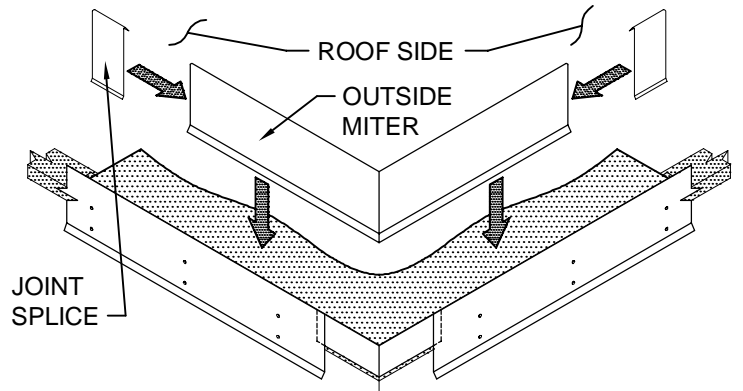
Install water-dam sections by overlapping the water-dam corner support by 1" min and place a water-dam leveling angle under the opposite end. Fasten in place using 1-1/2" ss ring shank nails provided in each pre-punched hole. Water-dam should be installed from the corners working towards the center. Water-dam sections can overlap each other 3" max. Do not fasten water-dam through laps.



STEP 4: Built-up Roofing

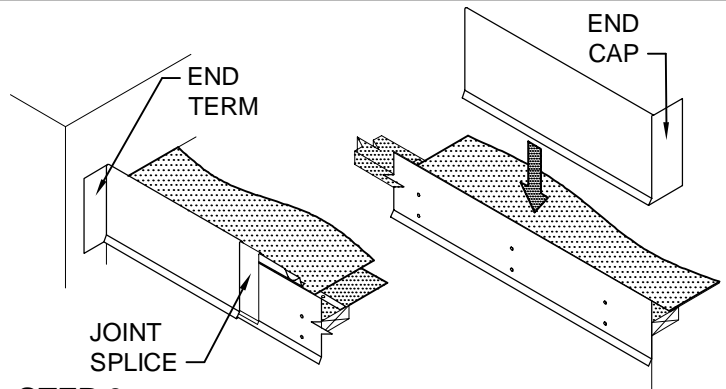
Adhere the built-up or modified bitumen roofing to the cant side of the water-dam per roofing material manufacturer's instructions.

Rev. 11/14



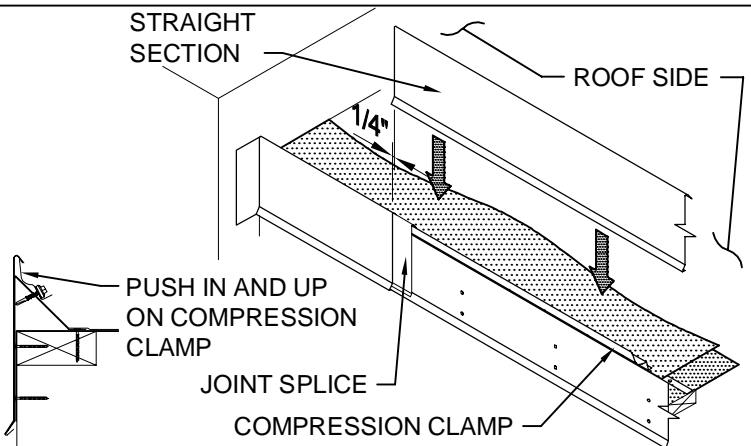
STEP 5: Installing Fascia Miters

Locate the miter and concealed joint splice for the appropriate corner. Place a concealed joint splice in each side of the miter. Install the miter by hooking the drip onto the kickout of the water-dam, then pull the miter up into place (flush against the water-dam). See STEP 7 for the compression clamp instructions.



STEP 6: Installing Fascia End Caps and End Terms

Install the fascia end caps and end terms by hooking the drip onto the kickout of the water-dam, then pull the fascia into place (flush with the water-dam). See STEP 7 for the compression clamp instructions.

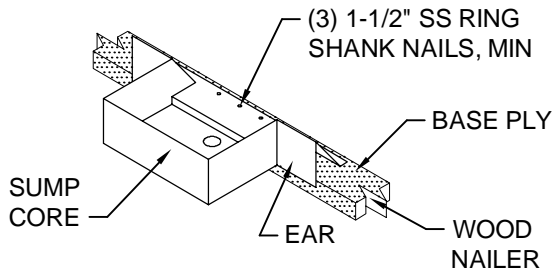


STEP 7: Installing Straight Lengths & Compression Clamps

Place a concealed joint splice in the opposite end of the installed miter or end cap. Install the fascia by hooking the drip onto the kickout of the water-dam, then pull the fascia into place (flush with the water-dam). Start from the corners or wall ends, place the compression clamp behind the return at the top of the fascia. The edge of arched end of the clamp hooks in under the return. Ensure that the drip is fully engaged onto the kickout by pushing in and up on the compression clamp. While holding the compression clamp tight against the water-dam and up behind the fascia return, fasten the clamp using the #12 x 1-1/4" self-drilling screw provided in each pre-punched hole. **Allow a 1/4" gap between fascia sections for thermal expansion.** Review lengths of all straight pieces prior to cutting to avoid creating relatively short sections of fascia adjacent to full length sections.

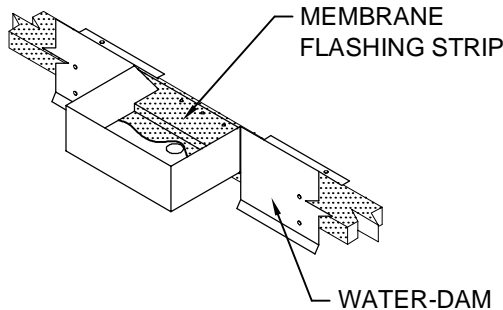
Note: There must be a joint splice at every joint.

SUMP CORES



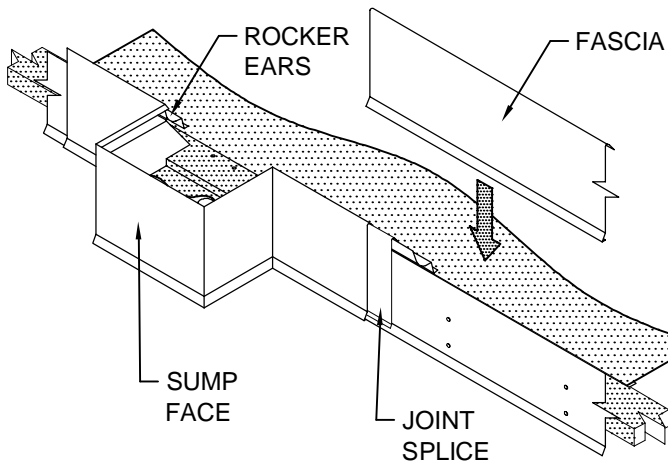
STEP 1: Installing Sump Core

Locate sump cores where downspouts will be located. Sump cores are installed prior to the water-dam. Fasten sump core to the wood nailer with a min of (3) 1-1/2" ss ring shank nails.



STEP 2: Installing Water-Dam at Sump Core

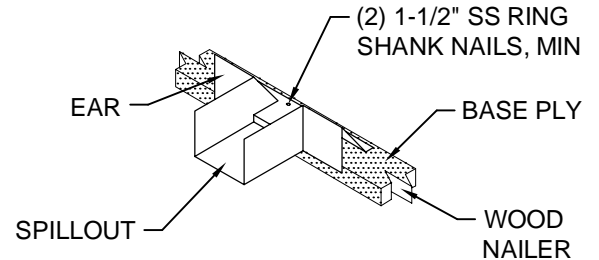
Install the water-dam over the ears on the sump core. Nail the water-dam as shown in STEP 3 on page 2. Apply membrane flashing strip up the back side of the water-dam and into the sump core as required by membrane manufacturer's specifications. Splice and seal the membrane in and around the sump core in accordance with membrane manufacturer's specifications.



STEP 3: Installing Sump face

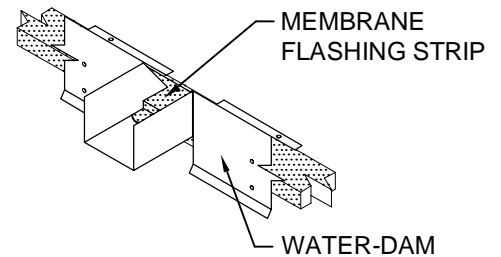
Place a concealed joint splice in each end of sump face. Install the fascia by hooking the drip onto the kickout of the water-dam, then pull the fascia into place (flush with the water-dam). Install rocker ears (small compression clamp with end caps) the same way as compression clamps are installed.

SPILLOUTS



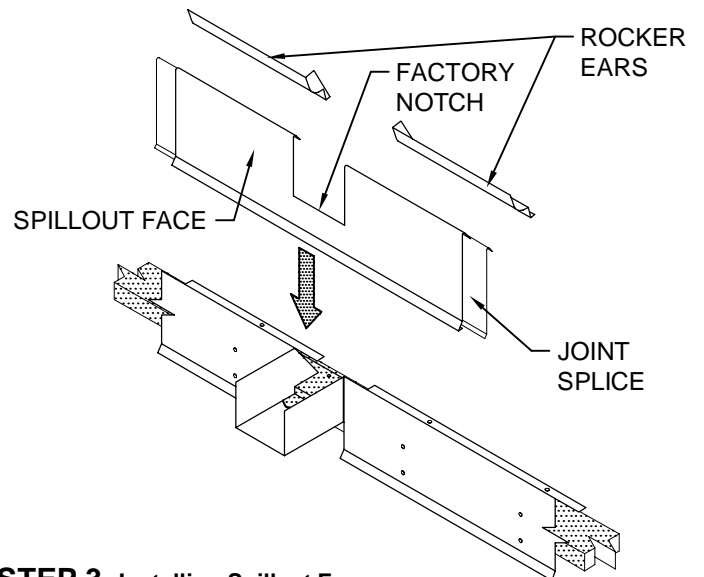
STEP 1: Installing Spillouts

Spillouts are installed at predetermined locations. Spillouts are installed prior to the water-dam. Fasten spillout to the wood nailer with a min of (2) 1-1/2" ss ring shank nails.



STEP 2: Installing Water-Dam at Spillouts

Install the water-dam over the ears on the spillout. Apply membrane flashing strip up back side of water-dam and into the spillout as required by membrane manufacturer's specifications. Splice and seal the membrane in and around the spillout in accordance with membrane manufacturer's specifications. (DON'T LEAVE ANY SHARP EDGES AGAINST THE MEMBRANE.)



STEP 3: Installing Spillout Face

Place a concealed joint splice in end of fascia. Install the fascia by hooking the drip onto the kickout of the water-dam, then pull the fascia into place (flush with the water-dam). Install rocker ears (small compression clamp with end caps) the same way as compression clamps are installed.

BLANK PAGE