

INSTALLATION INSTRUCTIONS

ALSAN® RS PRE-CUT FLEECE SMALL PIPE INSTALLATION INSTRUCTIONS

ALSAN RS PRE-CUT FLEECE SMALL PIPE (½" TO 3" DIA.)

ALSAN RS Pre-Cut Fleece is designed to improve the efficiency and quality of application for typical penetrations found on most roofing and waterproofing projects where ALSAN RS is installed. These instructions should be used in conjunction with the SOPREMA ALSAN RS Guide, ALSAN RS Technical Manual, applicable Product Data Sheets (PDS), material Safety Data Sheets (SDS), specifications, and other published technical recommendations, guidelines, or documentation. Prior to work startup, persons handling or applying ALSAN RS components should familiarize themselves with all health, safety, environment related hazards, precautions, Personal Protective Equipment (PPE) and protective measures as may be required. The applicator is responsible for ensuring conditions are appropriate to proceed and proper application methods are followed.

REQUIRED PRE-CUT FLEECE COMPONENTS

ALSAN RS Pre-Cut Fleece for small pipe penetrations requires the following pieces:

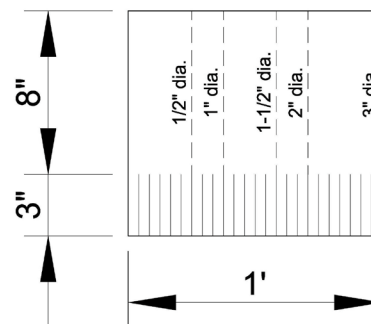
- (1) each pipe skirt with pre-cut finger flashing
- (2) each pre-cut deck targets

These pre-cut components can be used on common pipe and/or round penetrations ranging from ½ in (13 mm) up to 3 in (76 mm) nominal diameter.

SIZING THE SKIRT FLASHING

The ALSAN RS Pre-Cut Fleece pipe skirt is sized to fit 3 in (76 mm) nominal diameter pipes. For smaller penetrations, the skirt must be cut to fit the pipe circumference as needed. The following table may be used for standard sized pipes:

NOMINAL PIPE DIAMETER	PIPE O.D. IN (MM)	APPROX. SKIRT LENGTH IN (MM)
½ in	0.625 (16)	3.0 (76)
1 in	1.125 (29)	4.5 (115)
1 ½ in	1.625 (41)	6.125 (156)
2 in	2.125 (54)	7.75 (197)
3 in	3.125 (79)	11.0 (280)



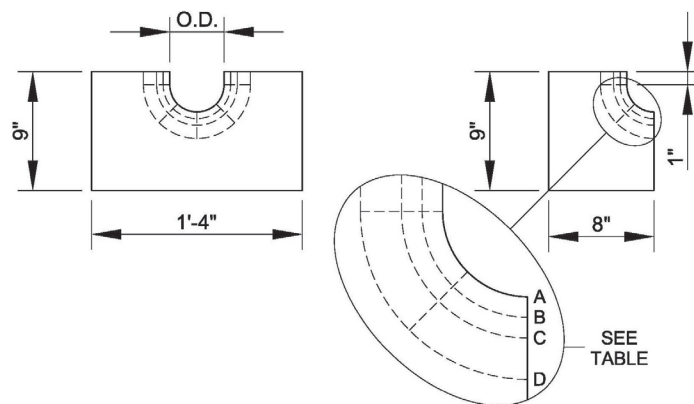
For other sized pipes or if the diameter is not known, simply wrap the skirt around the pipe allowing for minimum 1 in (25 mm) vertical overlap, mark the skirt and then cut accordingly.

SIZING THE TARGET FLASHING

The ALSAN RS Pre-Cut Fleece pipe targets are sized to fit ½ in (13 mm) diameter pipes. For larger penetrations, the targets must be cut to fit the pipe diameter as needed.

	NOMINAL PIPE DIAMETER	PIPE O.D. IN (MM)	APPROX. CUT IN (MM)
A	½ in	0.625 (16)	-
B	1 in	1.125 (29)	0.25 (6)
C	1 ½ in	1.625 (41)	0.50 (13)
D	2 in	2.125 (54)	0.75 (19)
E	3 in	3.125 (79)	1.25 (32)

Fold the pipe target in half along the centerline with the cut-out up and make 3 small relief cuts at 90, 45 and 0 degrees. The following table may be used for standard sized pipes:



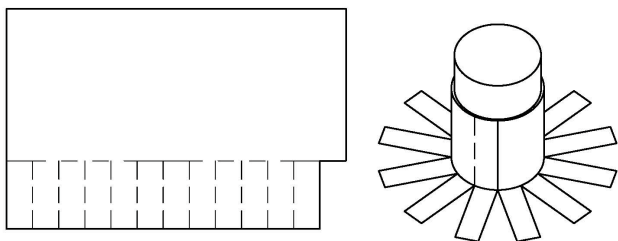
Additional relief cuts may be made as required. For other penetrations or if the diameter is not known, simply drape the target around the pipe, mark and then cut accordingly.

INSTALLATION INSTRUCTIONS

ALSAN® RS PRE-CUT FLEECE SMALL PIPE INSTALLATION INSTRUCTIONS

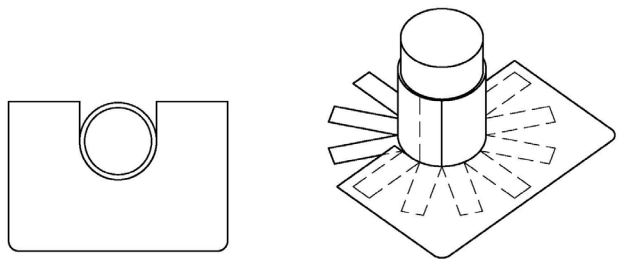
INSTALLING THE PIPE SKIRT FLASHING

Once the ALSAN RS Pre-Cut Fleece pipe skirt has been appropriately cut to length, remove 2 of the precut fingers on one end to accommodate the overlap. Apply masking tape approximately $\frac{1}{8}$ in (3 mm) above the top edge of the pre-cut fleece pipe flashing to protect from overpainting and provide a clean line. Install the pre-cut fleece around the penetration, taking care to assure the correct vertical overlap, using a catalyzed basecoat and topcoat of ALSAN RS resin. Remove masking tape while resin is wet.

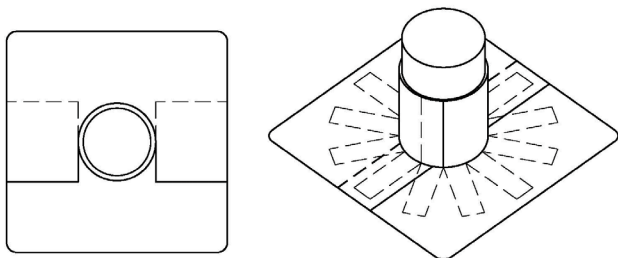


INSTALLING THE PIPE TARGET FLASHING

Once any required relief cuts are made to both ALSAN RS Pre-Cut Fleece pipe target pieces, install the first target piece to fit tightly around the penetration using a catalyzed basecoat and topcoat of ALSAN RS resin.



Then immediately follow with the second target piece to fit tightly around the penetration, overlapping the underlying target piece 2 in (51 mm) minimum, using a catalyzed basecoat and topcoat of ALSAN RS resin.



NOTE: ALSAN RS resin should be mixed and applied in accordance with standard recommendations, procedures and guidelines. Refer to the Product Data Sheet (PDS) for the appropriate ALSAN RS liquid coverage rates and application instructions.

DISCLAIMER

The applicator is responsible for ensuring conditions are appropriate to proceed with proper application methods. Refer to SOPREMA product, specifications and guides for additional information. Materials and methods should be adjusted as necessary to accommodate varying project conditions. Materials should not be installed when conditions are unacceptable to achieve the specified results.