



TRI-FIX FASTENING SYSTEM

TRI-FIX FASTENING SYSTEM

Order No. F950

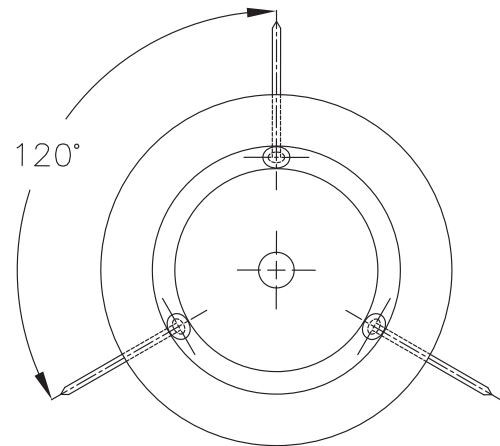
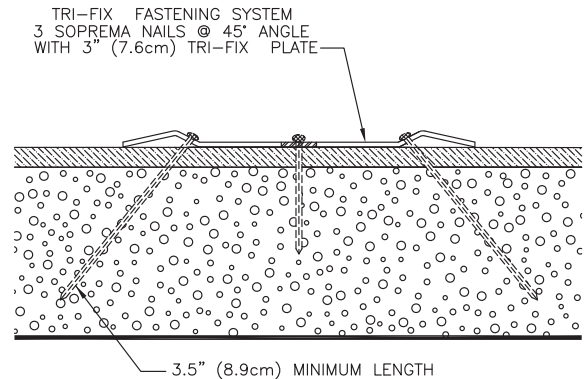
DESCRIPTION & APPLICATION

The Tri-Fix Fastening System is a specialized plate/nail combination that is utilized for mechanically attaching Soprema membranes to lightweight insulating concrete and gypsum substrates. The Tri-Fix membrane plate is fastened through the plate and into the substrate using three (3) Tri-Fix Nails at a 45° angle to the plate at the three (3) marked locations on the plate.

Correct placement of the Tri-Fix Fastening System is important in order for the Soprafix membrane to be effective. It is the installer's responsibility to know the Soprafix membrane being installed and which Tri-Fix fastening components are required, where and how often these parts are placed within the System. Unless otherwise noted in the Tri-Fix Approved Details, the installer must center the required Tri-Fix Seam Plate down the longitudinal middle of the mechanically fastened side lap seam of the Soprafix membrane. Next, the Tri-Fix nails are installed through the plate and into the approved deck according to the applicable Fastening Pattern(s).

On-site withdrawal testing should always be performed to evaluate the ability of the roofing substrate to satisfactorily accept and retain fasteners. Florida Building Code Testing Application Standard (TAS) No. 105-98 (or the most current), Test Procedure For Field Withdrawal Resistance Testing is recommended and may be required by local building code in certain states. The fastener withdrawal values should be recorded in compliance with TAS 105 Appendix A., The Field Withdrawal Resistance Test Results Report. Such test results may alter fastener selection and modify applicable fastening patterns.

NOTE: ONLY TRI-FIX NAIL-GUNS, TRI-FIX NAILS AND TRI-FIX PLATES ARE TO BE USED IN THIS SYSTEM.



COMPOSITION & PACKAGING

Product / Property	Tri-Fix Fastening System
Part Number	F950
Packaging	500 units per box (1 unit = 1 plate + 3 nails)
Nail Description	3.5" Length, 0.15" Shank Diameter, 0.313" Head Diameter
Plate Description	3" Diameter, 26-gauge Galvalume
FM 4470 Corrosion Resistance	Exceeds minimum testing criteria