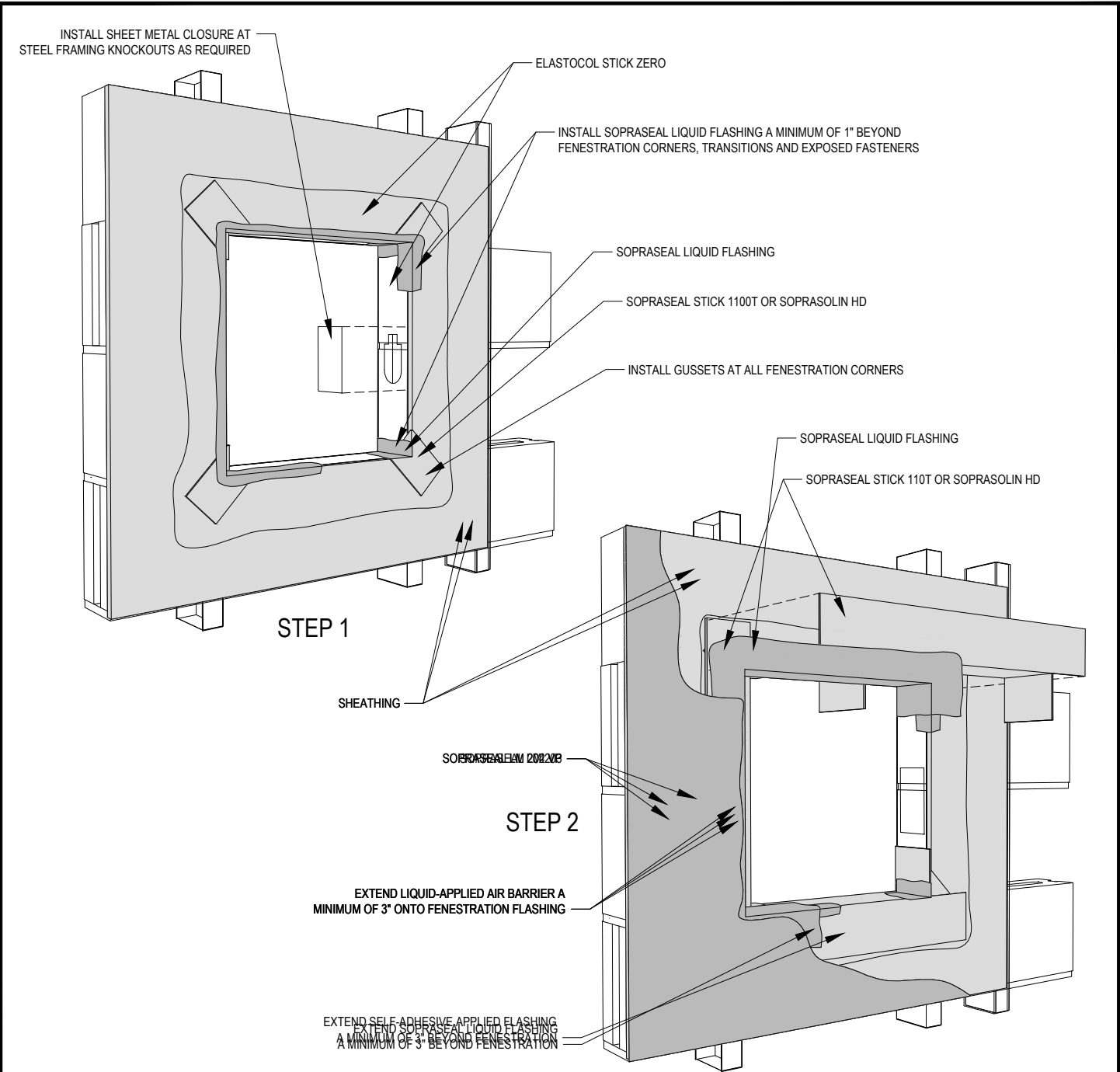


**DRAWING MUST BE VIEWED IN ADOBE READER TO ENABLE CUSTOM LAYERING**



- NOTES:
- SOPREMA DETAIL DRAWINGS: REFER TO SOPREMA AND OTHER RELATED PUBLISHED DOCUMENTATION, PRODUCT DATA SHEETS (PDS) AND SAFETY DATA SHEETS (SDS) FOR ADDITIONAL INFORMATION. ALL DETAIL DRAWINGS AND RELATED INSTALLATION GUIDELINES ARE PROVIDED BY SOPREMA FOR THE SOLE PURPOSE OF ISSUING A SOPREMA WARRANTY. ACCORDINGLY, THE DETAIL DRAWINGS ARE NOT OFFERED, AND SHOULD NOT BE CONSIDERED, AS A SUBSTITUTE FOR PROFESSIONAL DESIGN SERVICES.
  - PRIMER: WHERE NOT SHOWN OR INDICATED ON DETAIL DRAWINGS, REFER TO MATERIAL PRODUCT DATA SHEETS FOR PRIMER APPLICATION REQUIREMENTS.



US CORPORATE ADDRESS  
310 QUADRAL DRIVE  
WADSWORTH, OHIO 44281  
www.soprema.us  
Tel: 330.334.0066

PROJECT:	
TITLE:	<b>LIQUID-APPLIED AIR BARRIER, FENESTRATION</b>

DRAWN BY: SOPREMA TECHNICAL SUPPORT, GGALLOWAY		
NO.:	REVISION:	DATE:
DATE: 8.15.2017	DRAWING NUMBER: <b>US.WAVB.03.01</b>	
SCALE: NTS		