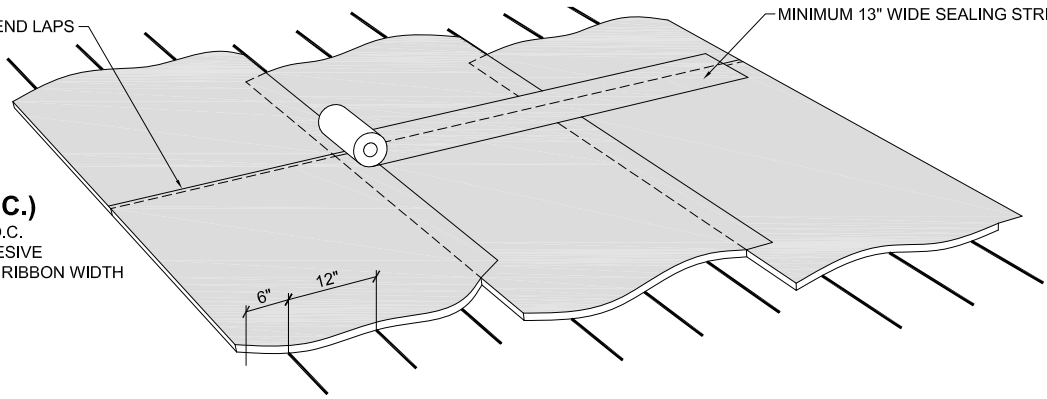


ALIGN BOARD END LAPS

MINIMUM 13" WIDE SEALING STRIP

FIELD (12" O.C.)

- PARALLEL RIBBONS AT 12" O.C.
- REFER TO INSULATION ADHESIVE
- PRODUCT DATA SHEET FOR RIBBON WIDTH

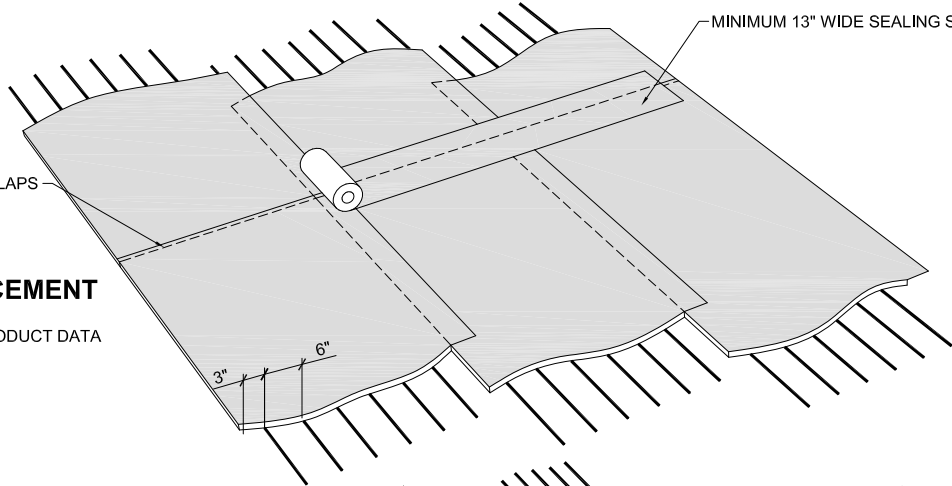


ALIGN BOARD END LAPS

MINIMUM 13" WIDE SEALING STRIP

PERIMETER PRESCRIPTIVE ENHANCEMENT

- PARALLEL RIBBONS AT 6" O.C.
- REFER TO INSULATION ADHESIVE PRODUCT DATA SHEET FOR RIBBON WIDTH

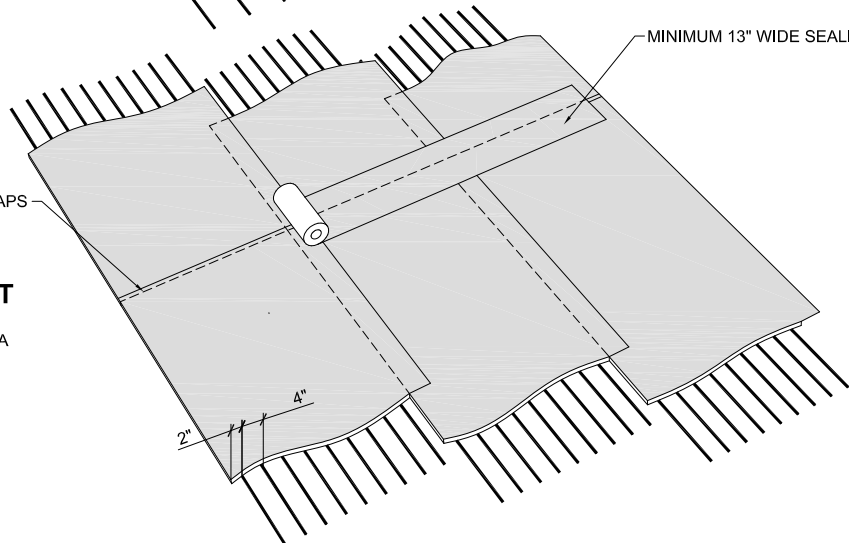


ALIGN BOARD END LAPS

MINIMUM 13" WIDE SEALING STRIP

CORNER PRESCRIPTIVE ENHANCEMENT

- PARALLEL RIBBONS AT 4" O.C.
- REFER TO INSULATION ADHESIVE PRODUCT DATA SHEET FOR RIBBON WIDTH



FASTENING PATTERNS AND ENHANCEMENTS SHOWN ARE FOR SOPREMA WARRANTY PURPOSES ONLY.



US CORPORATE ADDRESS
310 QUADRAL DRIVE
WADSWORTH, OHIO 44281
www.soprema.us
Tel: 330.334.0066

PROJECT:

TITLE:

RIBBON ADHERED
SBS LAMINATED COVERBOARD,
12" O.C. PATTERN

DRAWN BY: SOPREMA TECHNICAL SUPPORT, GGALLOWAY

NO.:

REVISION:

DATE:

DATE: 10.23.15

SCALE: NTS

DRAWING NUMBER:
US.FP.09.31

USAGE OF THIS DETAIL IS GOVERNED BY THE TERMS OF SERVICE FOR SOPREMA DETAILS.
PLEASE CONSULT THESE TERMS OF SERVICE PRIOR TO UTILIZING THIS DRAWING.