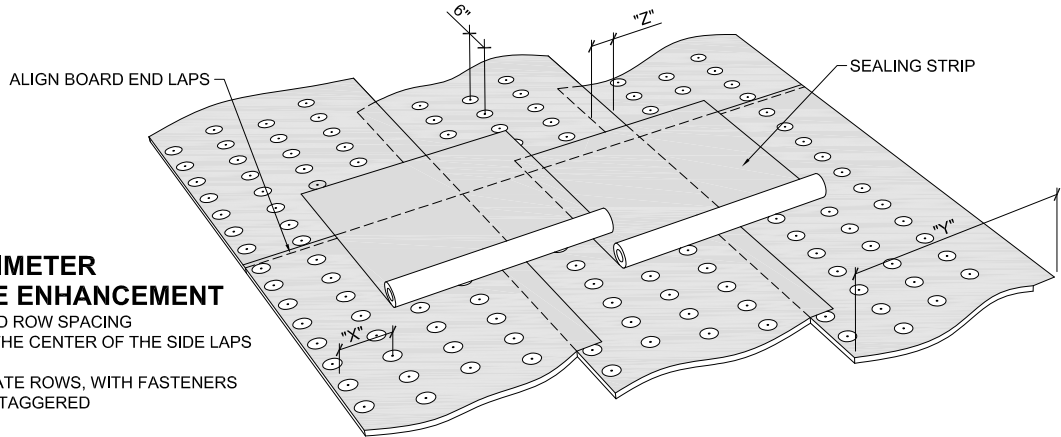


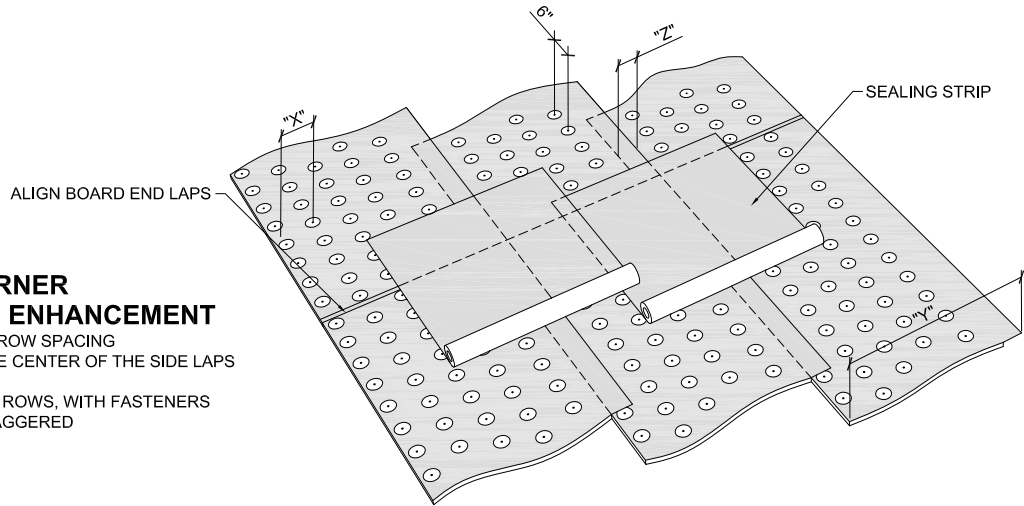
FIELD (6,6)

- ONE (1) ROW WITHIN THE CENTER OF THE SIDE LAPS SPACED 6" O.C.
- ONE (1) INTERMEDIATE ROW, WITH FASTENERS SPACED 6" O.C. AND STAGGERD



**PERIMETER
PRESCRIPTIVE ENHANCEMENT**

- NOMINAL 60% OF FIELD ROW SPACING
- ONE (1) ROW WITHIN THE CENTER OF THE SIDE LAPS SPACED 6" O.C.
- THREE (3) INTERMEDIATE ROWS, WITH FASTENERS SPACED 6" O.C. AND STAGGERED




**CORNER
PRESCRIPTIVE ENHANCEMENT**

- NOMINAL 40% OF FIELD ROW SPACING
- ONE (1) ROW WITHIN THE CENTER OF THE SIDE LAPS SPACED 6" O.C.
- FOUR (4) INTERMEDIATE ROWS, WITH FASTENERS SPACED 6" O.C. AND STAGGERED

Roll Width (Y)	Lap Width (Z)	Zone	Pattern	Row Spacing (X)	Fasteners Per Square
39in (1m)	3in	Field	6,6	18in	134
		Perimeter	6,6,6,6	9in	267
		Corner	6,6,6,6,6	7.2in	334

FASTENING PATTERNS AND ENHANCEMENTS SHOWN ARE FOR SOPREMA WARRANTY PURPOSES ONLY.

 <p>US CORPORATE ADDRESS 310 QUADRAL DRIVE WADSWORTH, OHIO 44281 www.soprema.us Tel:330.334.0066</p>	PROJECT:	DRAWN BY: SOPREMA TECHNICAL SUPPORT, GGALLOWAY		
	TITLE:	NO.:	REVISION:	DATE:
	MECHANICALLY ATTACHED SBS LAMINATED COVERBOARD, 6" O.C. IN LAP AND ONE ROW BETWEEN LAPS AT 6" O.C. FASTENING PATTERN	DATE: 10.30.15	DRAWING NUMBER: US.FP.09.12	
		SCALE: NTS		

USAGE OF THIS DETAIL IS GOVERNED BY THE TERMS OF SERVICE FOR SOPREMA DETAILS. PLEASE CONSULT THESE TERMS OF SERVICE PRIOR TO UTILIZING THIS DRAWING.