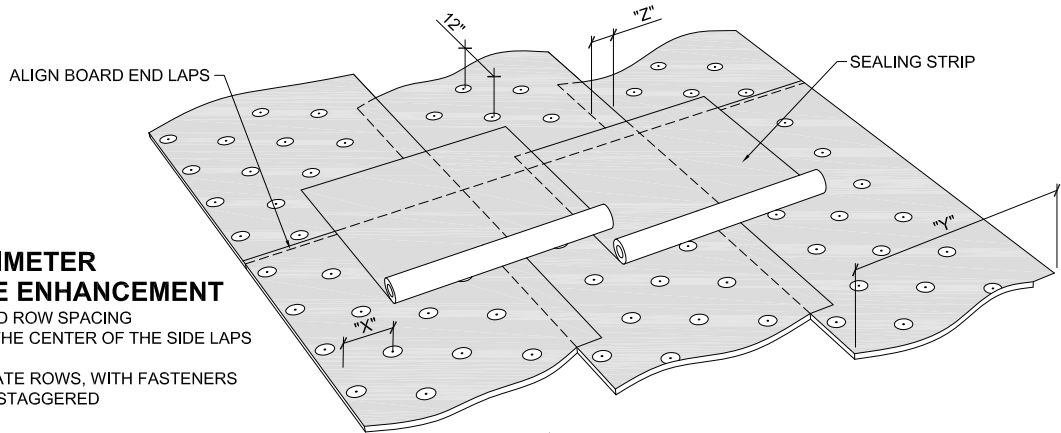


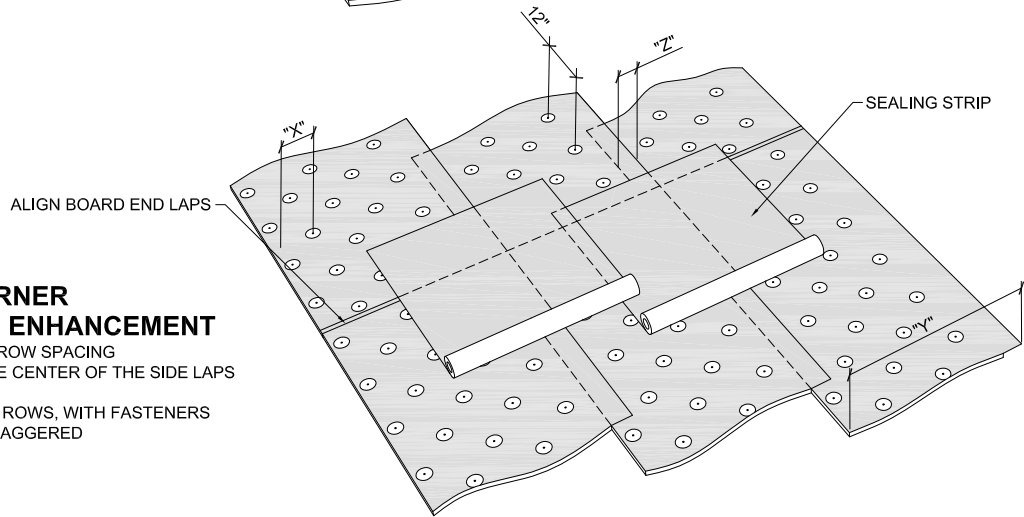
FIELD (12,12)

- ONE (1) ROW WITHIN THE CENTER OF THE SIDE LAPS SPACED 12" O.C.
- ONE (1) INTERMEDIATE ROW, WITH FASTENERS SPACED 12" O.C. AND STAGGERD



**PERIMETER
PRESCRIPTIVE ENHANCEMENT**

- NOMINAL 60% OF FIELD ROW SPACING
- ONE (1) ROW WITHIN THE CENTER OF THE SIDE LAPS SPACED 12" O.C.
- THREE (3) INTERMEDIATE ROWS, WITH FASTENERS SPACED 12" O.C. AND STAGGERED




**CORNER
PRESCRIPTIVE ENHANCEMENT**

- NOMINAL 40% OF FIELD ROW SPACING
- ONE (1) ROW WITHIN THE CENTER OF THE SIDE LAPS SPACED 12" O.C.
- FOUR (4) INTERMEDIATE ROWS, WITH FASTENERS SPACED 12" O.C. AND STAGGERED

Roll Width (Y)	Lap Width (Z)	Zone	Pattern	Row Spacing (X)	Fasteners Per Square
39in (1m)	3in	Field	12,12	18in	67
		Perimeter	12,12,12,12	9in	134
		Corner	12,12,12,12,12	7.2in	167

FASTENING PATTERNS AND ENHANCEMENTS SHOWN ARE FOR SOPREMA WARRANTY PURPOSES ONLY.

 <p>US CORPORATE ADDRESS 310 QUADRAL DRIVE WADSWORTH, OHIO 44281 www.soprema.us Tel:330.334.0066</p>	PROJECT:	DRAWN BY: SOPREMA TECHNICAL SUPPORT, GGALLOWAY		
	TITLE:	NO.:	REVISION:	DATE:
	<p>MECHANICALLY ATTACHED SBS LAMINATED COVERBOARD, 12" O.C. IN LAP AND ONE ROW BETWEEN LAPS AT 12" O.C. FASTENING PATTERN</p>	DATE: 10.30.15	DRAWING NUMBER: US.FP.09.11	
		SCALE: NTS		

USAGE OF THIS DETAIL IS GOVERNED BY THE TERMS OF SERVICE FOR SOPREMA DETAILS. PLEASE CONSULT THESE TERMS OF SERVICE PRIOR TO UTILIZING THIS DRAWING.