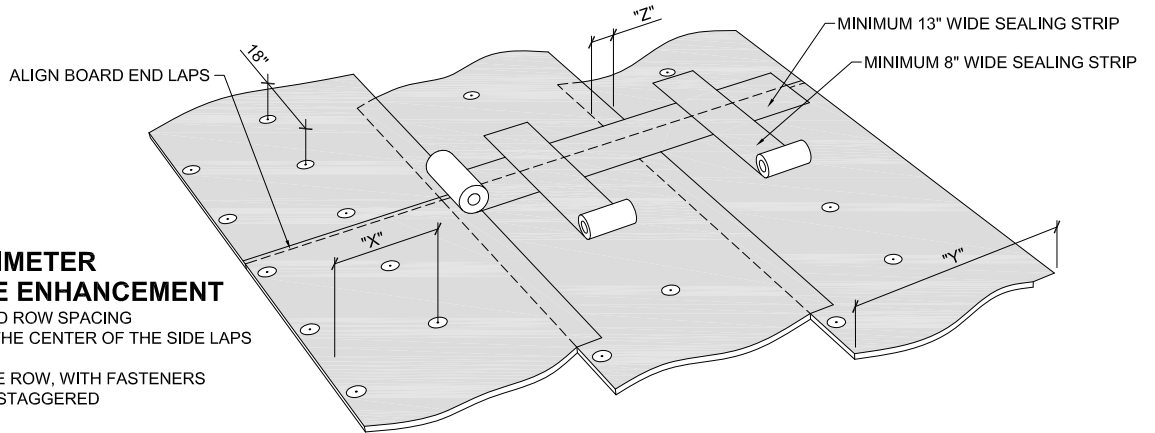
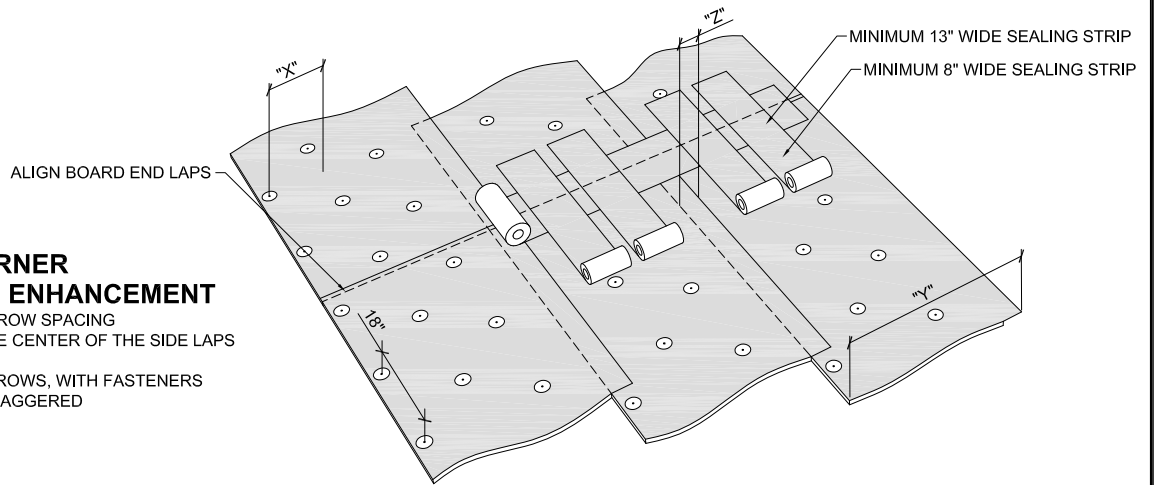


- FIELD (18)**
- ONE (1) ROW WITHIN THE CENTER OF THE SIDE LAPS SPACED 18" O.C.




- PERIMETER PRESCRIPTIVE ENHANCEMENT**
- NOMINAL 60% OF FIELD ROW SPACING
 - ONE (1) ROW WITHIN THE CENTER OF THE SIDE LAPS SPACED 18" O.C.
 - ONE (1) INTERMEDIATE ROW, WITH FASTENERS SPACED 18" O.C. AND STAGGERED



- CORNER PRESCRIPTIVE ENHANCEMENT**
- NOMINAL 40% OF FIELD ROW SPACING
 - ONE (1) ROW WITHIN THE CENTER OF THE SIDE LAPS SPACED 18" O.C.
 - TWO (2) INTERMEDIATE ROWS, WITH FASTENERS SPACED 18" O.C. AND STAGGERED

Roll Width (Y)	Lap Width (Z)	Zone	Pattern	Row Spacing (X)	Fasteners Per Square
39in (1m)	3in	Field	18	36in	23
		Perimeter	18,18	18in	45
		Corner	18,18,18	12in	67

FASTENING PATTERNS AND ENHANCEMENTS SHOWN ARE FOR SOPREMA WARRANTY PURPOSES ONLY.

 <p>US CORPORATE ADDRESS 310 QUADRAL DRIVE WADSWORTH, OHIO 44281 www.soprema.us Tel:330.334.0066</p>	PROJECT:	DRAWN BY: SOPREMA TECHNICAL SUPPORT, GGALLOWAY		
	TITLE:	NO.:	REVISION:	DATE:
	MECHANICALLY ATTACHED SBS LAMINATED COVERBOARD, 18" O.C. IN LAP FASTENING PATTERN	DATE: 10.26.15	DRAWING NUMBER: US.FP.09.02	
		SCALE: NTS		

USAGE OF THIS DETAIL IS GOVERNED BY THE TERMS OF SERVICE FOR SOPREMA DETAILS. PLEASE CONSULT THESE TERMS OF SERVICE PRIOR TO UTILIZING THIS DRAWING.