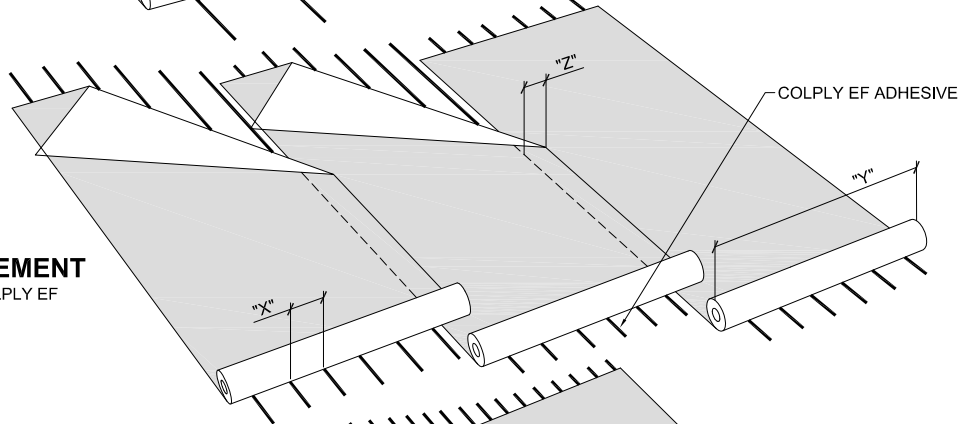


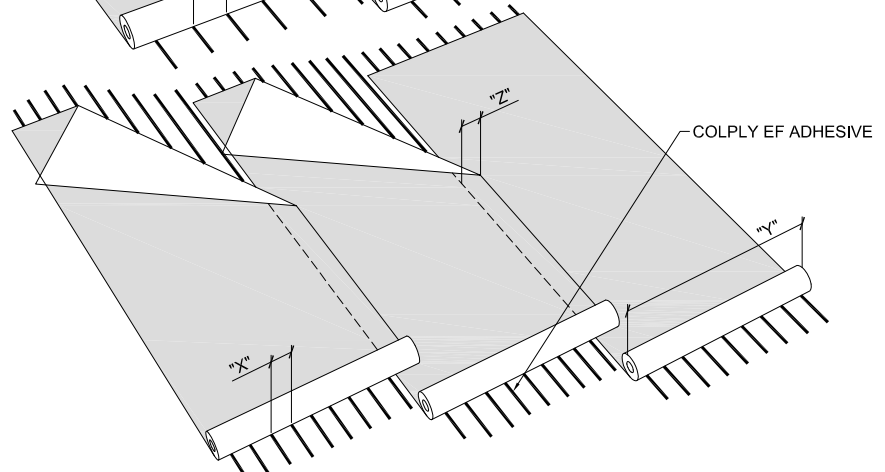
FIELD (12" O.C.)

- 1/2" TO 3/4" PARALLEL RIBBONS OF COLPLY EF ADHESIVE AT 12" O.C.



PERIMETER PRESCRIPTIVE ENHANCEMENT

- 1/2" TO 3/4" PARALLEL RIBBONS OF COLPLY EF ADHESIVE AT 6" O.C.



CORNER PRESCRIPTIVE ENHANCEMENT

- 1/2" TO 3/4" PARALLEL RIBBONS OF COLPLY EF ADHESIVE AT 4" O.C.

Roll Width (Y)	Lap Width (Z)	Zone	Pattern	Row Spacing (X)	Gallons Per Square*
39in (1m)	3in	Field	12in o.c.	12in	1
		Perimeter	6in o.c.	6in	2
		Corner	4in o.c.	4in	3

*DOES NOT INCLUDE SIDE LAPS AND END LAPS. LAPS MAY BE SEALED USING COLPLY EF OR HEAT WELDED WATER TIGHT.

FASTENING PATTERNS AND ENHANCEMENTS SHOWN ARE FOR SOPREMA WARRANTY PURPOSES ONLY.



US CORPORATE ADDRESS
310 QUADRAL DRIVE
WADSWORTH, OHIO 44281
www.soprema.us
Tel:330.334.0066

PROJECT:

TITLE:

RIBBON ADHERED BASE PLY,
12" O.C. FASTENING PATTERN

DRAWN BY: SOPREMA TECHNICAL SUPPORT, GGALLOWAY

NO.:

REVISION:

DATE:

DATE: 5.23.2016

SCALE: NTS

DRAWING NUMBER:
US.FP.08.01

USAGE OF THIS DETAIL IS GOVERNED BY THE TERMS OF SERVICE FOR SOPREMA DETAILS. PLEASE CONSULT THESE TERMS OF SERVICE PRIOR TO UTILIZING THIS DRAWING.