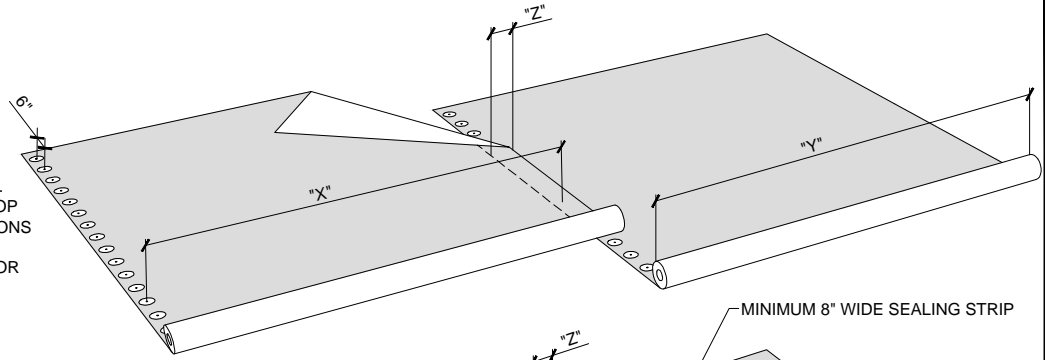


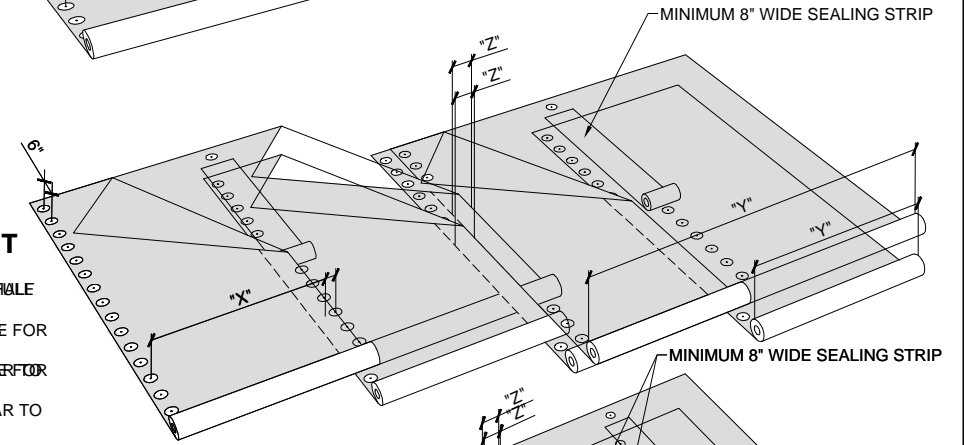
FIELD (6)

- ONE (1) ROW CENTERED 2" IN FROM EDGE OF FULL SHEET SPACED 6" O.C.
- ENSURE FASTENER ENGAGES THE TOP FLANGE FOR STEEL DECK APPLICATIONS
- ENSURE FASTENER ROWS ARE PERPENDICULAR TO DECK FLUTES FOR STEEL DECK APPLICATIONS



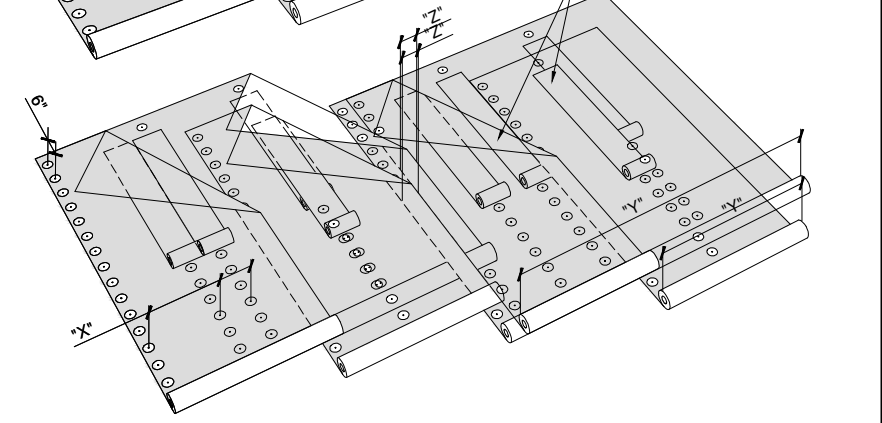
**PERIMETER
PRESCRIPTIVE ENHANCEMENT**

- NOMINAL 60% OF FIELD ROW SPACING
- ONE (1) ROW CENTERED 2" IN FROM EDGE OF FULL SHEET SPACED 6" O.C.
- ENSURE FASTENER ENGAGES THE TOP FLANGE FOR STEEL DECK APPLICATIONS
- ENSURE FASTENER ROWS ARE PERPENDICULAR TO DECK FLUTES FOR STEEL DECK APPLICATIONS
- ENSURE FASTENER ROWS ARE PERPENDICULAR TO DECK FLUTES FOR STEEL DECK APPLICATIONS




**CORNER
PRESCRIPTIVE ENHANCEMENT**

- NOMINAL 40% OF FIELD ROW SPACING
- ONE (1) ROW CENTERED 2" IN FROM EDGE OF FULL SHEET SPACED 6" O.C.
- TWO (2) INTERMEDIATE ROWS WITH FASTENERS SPACED 6" O.C.
- ENSURE FASTENER ENGAGES THE TOP FLANGE FOR STEEL DECK APPLICATIONS
- ENSURE FASTENER ROWS ARE PERPENDICULAR TO DECK FLUTES FOR STEEL DECK APPLICATIONS



Roll Width (Y)	Lap Width (Z)	Zone	Pattern	Row Spacing (X)	Fasteners Per Square
120in (3.048m)	6in	Field	6	114in	21
120in (3.048m)		Perimeter	666	57in	42
120in (3.048m)		Corner	66666	38in	69
82.5in (2.1m)	6in	Field	6	76.5in	32
82.5in (2.1m)		Perimeter	666	38.25in	68
82.5in (2.1m)		Corner	66666	125.25in	137

FASTENING PATTERNS AND ENHANCEMENTS SHOWN ARE FOR SOPREMA WARRANTY PURPOSES ONLY.

 <p>US CORPORATE ADDRESS 310 QUADRAL DRIVE WADSWORTH, OHIO 44281 www.soprema.us Tel: 330.334.0066</p>	PROJECT:	DRAWN BY: SOPREMA TECHNICAL SUPPORT, GGALLOWAY		
	TITLE:	NO.:	REVISION:	DATE:
	<p>MECHANICALLY ATTACHED PVC, 6" O.C. IN LAP FASTENING PATTERN</p>	DATE: 5.12.2016	DRAWING NUMBER: US.FP.07.03	
		SCALE: NTS		