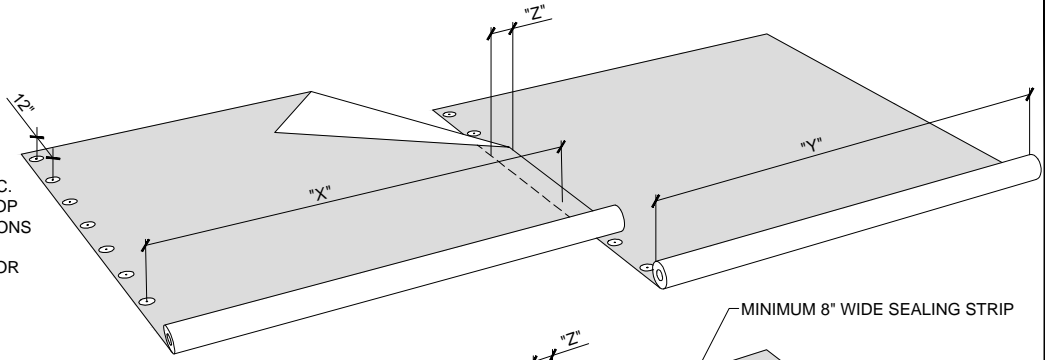


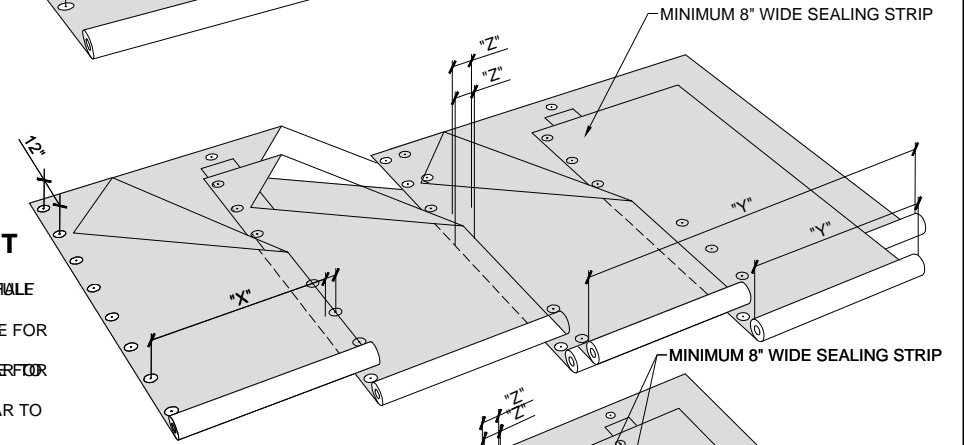
**FIELD (12)**

- ONE (1) ROW CENTERED 2" IN FROM EDGE OF FULL SHEET SPACED 12" O.C.
- ENSURE FASTENER ENGAGES THE TOP FLANGE FOR STEEL DECK APPLICATIONS
- ENSURE FASTENER ROWS ARE PERPENDICULAR TO DECK FLUTES FOR STEEL DECK APPLICATIONS



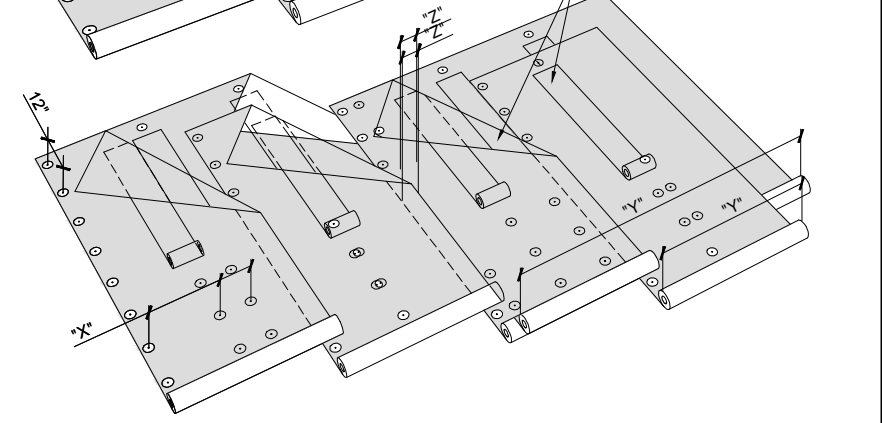
**PERIMETER  
PRESCRIPTIVE ENHANCEMENT**

- NOMINAL 60% OF FIELD ROW SPACING
- ONE (1) ROW CENTERED 2" IN FROM EDGE OF FULL SHEET SPACED 12" O.C.
- ENSURE FASTENER ENGAGES THE TOP FLANGE FOR STEEL DECK APPLICATIONS
- ENSURE FASTENER ROWS ARE PERPENDICULAR TO DECK FLUTES FOR STEEL DECK APPLICATIONS
- ENSURE FASTENER ROWS ARE PERPENDICULAR TO DECK FLUTES FOR STEEL DECK APPLICATIONS




**CORNER  
PRESCRIPTIVE ENHANCEMENT**

- NOMINAL 40% OF FIELD ROW SPACING
- ONE (1) ROW CENTERED 2" IN FROM EDGE OF FULL SHEET SPACED 12" O.C.
- ONE (2) INTERMEDIATE ROWS WITH FASTENERS SPACED 12" O.C.
- ENSURE FASTENER ENGAGES THE TOP FLANGE FOR STEEL DECK APPLICATIONS
- ENSURE FASTENER ROWS ARE PERPENDICULAR TO DECK FLUTES FOR STEEL DECK APPLICATIONS



Roll Width (Y)	Lap Width (Z)	Zone	Pattern	Row Spacing (X)	Fasteners Per Square
120in (3.048m)	6in	Field	12	114in	11
<del>120in (3.048m)</del>		Perimeter	12,2	57in	23
<del>120in (3.048m)</del>		Corner	12,2,2,2	38in	32
82.5in (2.1m)	6in	Field	12	76.5in	16
<del>82.5in (2.1m)</del>		Perimeter	12,2	38.25in	32
<del>82.5in (2.1m)</del>		Corner	12,2,2,2	12,5,2,5in	68

FASTENING PATTERNS AND ENHANCEMENTS SHOWN ARE FOR SOPREMA WARRANTY PURPOSES ONLY.

 <p>US CORPORATE ADDRESS 310 QUADRAL DRIVE WADSWORTH, OHIO 44281 www.soprema.us Tel: 330.334.0066</p>	PROJECT:	DRAWN BY: SOPREMA TECHNICAL SUPPORT, GGALLOWAY		
	TITLE: <b>MECHANICALLY ATTACHED PVC, 12" O.C. IN LAP FASTENING PATTERN</b>	NO.:	REVISION:	DATE:
		DATE: 5.12.2016	DRAWING NUMBER: <b>US.FP.07.02</b>	
		SCALE: NTS		