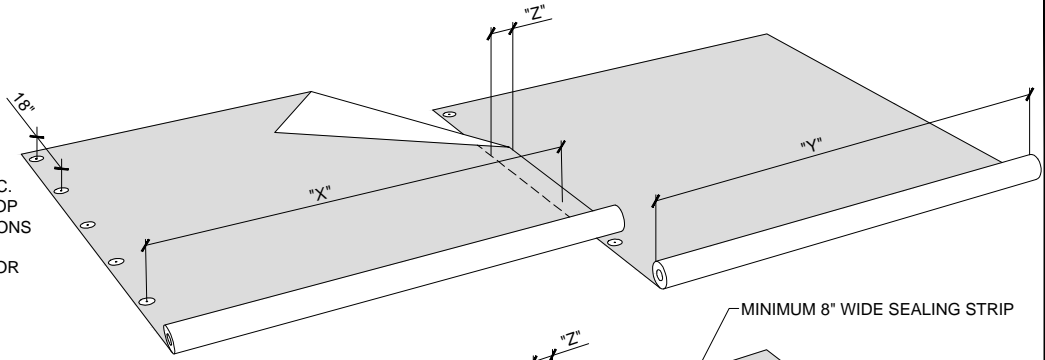


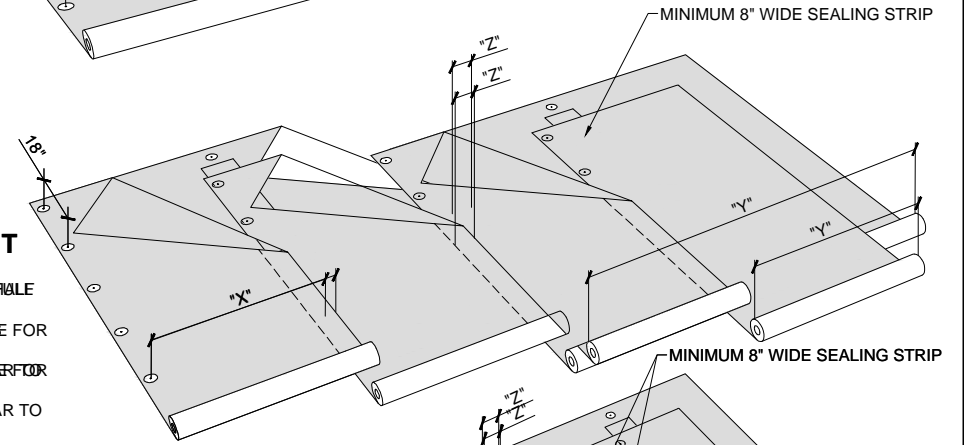
FIELD (18)

- ONE (1) ROW CENTERED 2" IN FROM EDGE OF FULL SHEET SPACED 18" O.C.
- ENSURE FASTENER ENGAGES THE TOP FLANGE FOR STEEL DECK APPLICATIONS
- ENSURE FASTENER ROWS ARE PERPENDICULAR TO DECK FLUTES FOR STEEL DECK APPLICATIONS



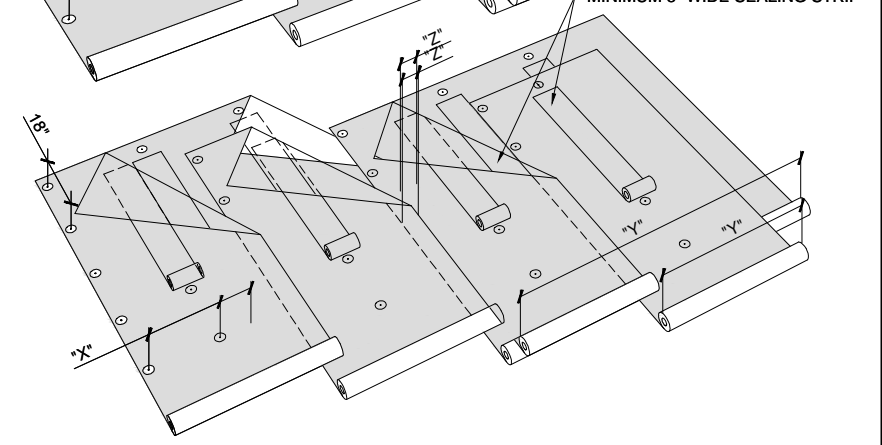
**PERIMETER
PRESCRIPTIVE ENHANCEMENT**

- NOMINAL 60% OF FIELD ROW SPACING
- ONE (1) ROW CENTERED 2" IN FROM EDGE OF FULL SHEET SPACED 18" O.C.
- ENSURE FASTENER ENGAGES THE TOP FLANGE FOR STEEL DECK APPLICATIONS
- ENSURE FASTENER ROWS ARE PERPENDICULAR TO DECK FLUTES FOR STEEL DECK APPLICATIONS
- ENSURE FASTENER ROWS ARE PERPENDICULAR TO DECK FLUTES FOR STEEL DECK APPLICATIONS




**CORNER
PRESCRIPTIVE ENHANCEMENT**

- NOMINAL 40% OF FIELD ROW SPACING
- ONE (1) ROW CENTERED 2" IN FROM EDGE OF FULL SHEET SPACED 18" O.C.
- ONE (2) INTERMEDIATE ROWS WITH FASTENERS SPACED 18" O.C.
- ENSURE FASTENER ENGAGES THE TOP FLANGE FOR STEEL DECK APPLICATIONS
- ENSURE FASTENER ROWS ARE PERPENDICULAR TO DECK FLUTES FOR STEEL DECK APPLICATIONS



Roll Width (Y)	Lap Width (Z)	Zone	Pattern	Row Spacing (X)	Fasteners Per Square
120in (3.048m)	6in	Field	18	114in	7
120in (3.048m)		Perimeter	18,88	57in	15
120in (3.048m)		Corner	18,8,8,88	38in	20
82.5in (2.1m)	6in	Field	18	76.5in	11
82.5in (2.1m)		Perimeter	18,88	38.25in	23
82.5in (2.1m)		Corner	18,8,8,88	125.25in	38

FASTENING PATTERNS AND ENHANCEMENTS SHOWN ARE FOR SOPREMA WARRANTY PURPOSES ONLY.

 <p>US CORPORATE ADDRESS 310 QUADRAL DRIVE WADSWORTH, OHIO 44281 www.soprema.us Tel: 330.334.0066</p>	PROJECT:	DRAWN BY: SOPREMA TECHNICAL SUPPORT, GGALLOWAY		
	TITLE: MECHANICALLY ATTACHED PVC, 18" O.C. IN LAP FASTENING PATTERN	NO.:	REVISION:	DATE:
		DATE: 5.12.2016	DRAWING NUMBER: US.FP.07.01	
		SCALE: NTS		