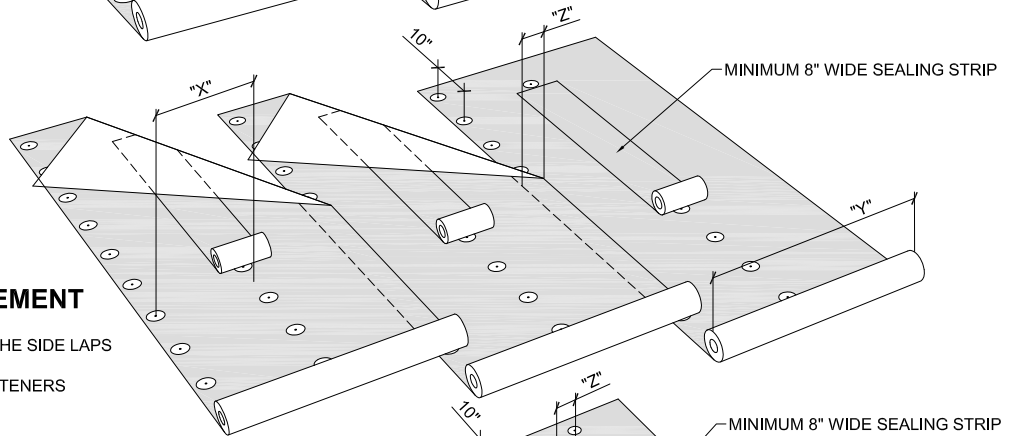


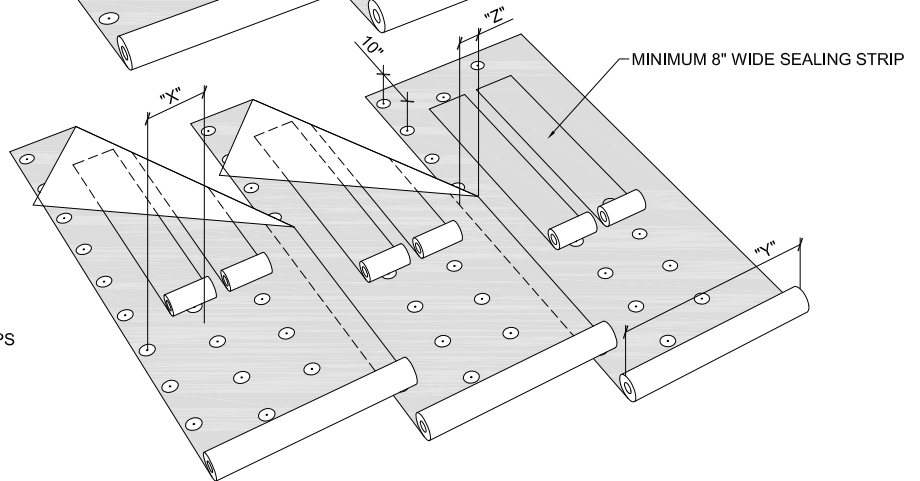
FIELD (10)

- ONE (1) ROW WITHIN THE CENTER OF THE SIDE LAPS SPACED 10" O.C.



**PERIMETER
PRESCRIPTIVE ENHANCEMENT**

- NOMINAL 60% OF FIELD ROW SPACING
- ONE (1) ROW WITHIN THE CENTER OF THE SIDE LAPS SPACED 10" O.C.
- ONE (1) INTERMEDIATE ROW, WITH FASTENERS SPACED 10" O.C. AND STAGGERED




**CORNER
PRESCRIPTIVE ENHANCEMENT**

- NOMINAL 40% OF FIELD ROW SPACING
- ONE (1) ROW WITHIN THE CENTER OF THE SIDE LAPS SPACED 10" O.C.
- TWO (2) INTERMEDIATE ROWS, WITH FASTENERS SPACED 10" O.C. AND STAGGERED

Roll Width (Y)	Lap Width (Z)	Zone	Pattern	Row Spacing (X)	Fasteners Per Square
39in (1m)	4in	Field	10	35in	42
		Perimeter	10,10	17.5in	83
		Corner	10,10,10	11.67in	124
39in (1m)	5in	Field	10	34in	43
		Perimeter	10,10	17in	85
		Corner	10,10,10	11.33in	128
39in (1m)	6in	Field	10	33in	44
		Perimeter	10,10	16.5in	88
		Corner	10,10,10	11in	131

FASTENING PATTERNS AND ENHANCEMENTS SHOWN ARE FOR SOPREMA WARRANTY PURPOSES ONLY.

 <p>US CORPORATE ADDRESS 310 QUADRAL DRIVE WADSWORTH, OHIO 44281 www.soprema.us Tel:330.334.0066</p>	PROJECT:	DRAWN BY: SOPREMA TECHNICAL SUPPORT, GGALLOWAY		
	TITLE:	NO.:	REVISION:	DATE:
	<p>MECHANICALLY ATTACHED BASE PLY, 10" O.C. IN LAP FASTENING PATTERN</p>	DATE: 05.10.2014	DRAWING NUMBER: US.FP.06.04	
		SCALE: NTS		

USAGE OF THIS DETAIL IS GOVERNED BY THE TERMS OF SERVICE FOR SOPREMA DETAILS. PLEASE CONSULT THESE TERMS OF SERVICE PRIOR TO UTILIZING THIS DRAWING.