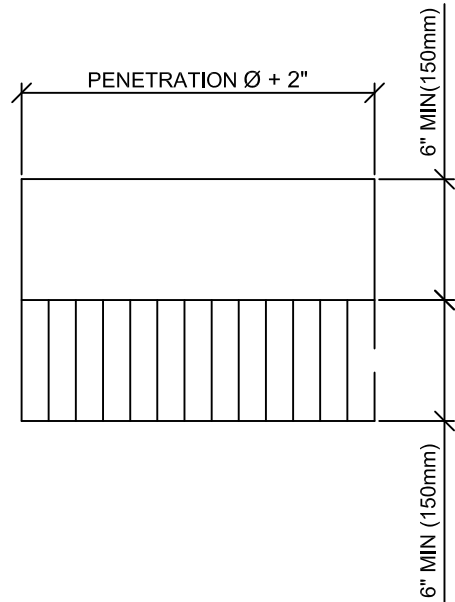
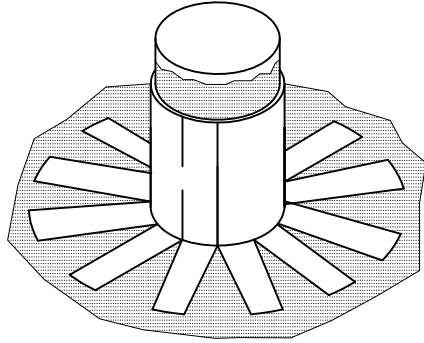


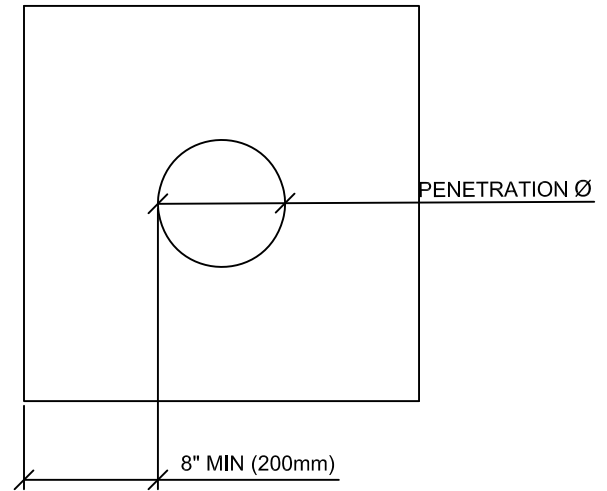
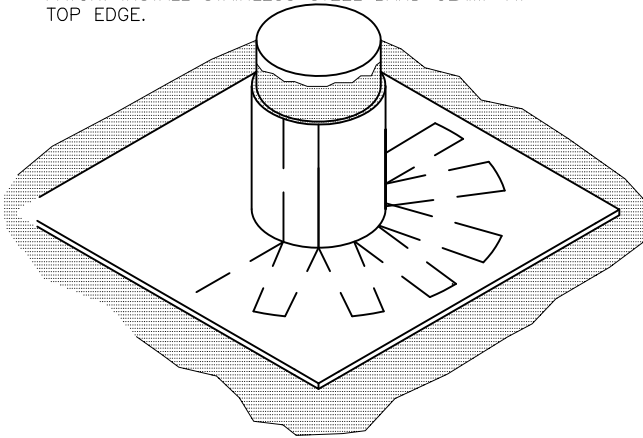
STEP 1:

CUT, THEN APPLY COLPHENE 3000 FINGER FLASHING IN COLPHENE LIQUID MEMBRANE AROUND PIPE. INSURE VERTICAL SHAFT OF PIPE IS FULLY COATED WITH COLPHENE LIQUID MEMBRANE. SEAL AND CAULK MEMBRANE AT LAP EDGE ON VERTICAL LAP EDGE OF THE MEMBRANE.



STEP 2:

CUT, THEN APPLY COLPHENE 3000 TARGET PATCH IN A FULL BED OF COLPHENE LIQUID MEMBRANE INSURE ALL SERATED EDGES OF FINGER FLASHING ARE FULLY EMBEDDED IN COLPHENE LIQUID MEMBRANE AND COVERED BY FIRMLY SEATED TARGET PATCH. INSTALL STAINLESS STEEL BAND CLAMP AT TOP EDGE.



NOTES:

1. DETAIL TO BE USED IN CONJUNCTION WITH SOPREMA GENERAL REQUIREMENTS AND APPROVED DETAILS.
2. REMOVE ALL POSSIBLE CONTAMINANTS FROM ALL PIPE PENETRATIONS. PRIME, SAND AND PREPARE ALL PIPE SURFACES, THIS IS NECESSARY TO INSURE PROPER ADHESION
3. DETAIL IS TYPICAL FOR ALL STANDARD PIPE PENETRATIONS INCLUDING CONDUIT, PIPES AND VENTS
4. ALL PENETRATIONS MUST BE FIRMLY AND PROPERLY ANCHORED TO PROHIBIT ANY MOVEMENT
5. ALL VOIDS MUST BE SOLIDLY GROUTED OR APPROPRIATELY FILLED TO FORM A CLEAN, DRY AND SUITABLE SUBSTRATE
6. STAINLESS STEEL BAND CLAMP, INSTALLED UPON DETAIL COMPLETION, NOT SHOWN FOR CLARITY.

COPYRIGHT 2016 SOPREMA



SOPREMA

310 Quadral Drive
Wadsworth, OH 44281
WWW.SOPREMA.CA
Tell: 330.334.0066

TITLE:		BLIND SIDE WATERPROOFING COLPHENE LIQUID MEMBRANE PENETRATION FLASHING - CUTTING DIAGRAM	
PROJECT:		DRAWING NUMBER:	
SCALE:	N.T.S.	DATE:	01/29/16
			BSW08-1