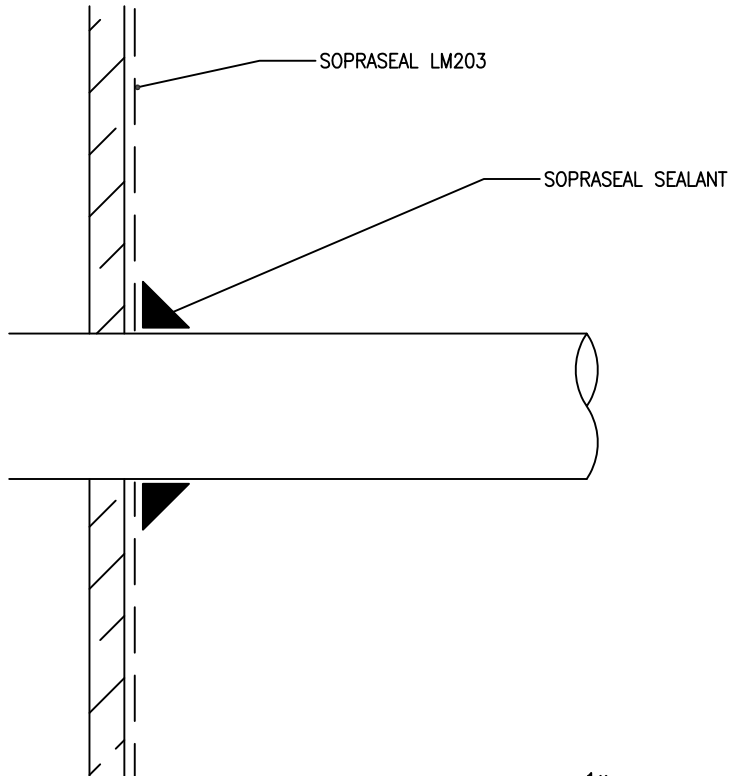



PIPE PENETRATION WITH SUBSTRATE GAP GREATER THAN  $\frac{1}{8}$ "



PIPE PENETRATION WITH SUBSTRATE GAP LESS THAN  $\frac{1}{8}$ "

NOTES:

1. DETAIL TO BE USED IN CONJUNCTION WITH SOPREMA GENERAL REQUIREMENTS AND APPROVED DETAILS.
2. AIR/VAPOR RETARDER TYPE AND PLACEMENT REQUIREMENTS ARE TO BE DETERMINED BY THE SPECIFIER

		310 QUADRAL DRIVE	
		WADSWORTH, OHIO 44281 (330) 334-0066	
TITLE			
PENETRATION			
SCALE	DWN	CHK	APPROVAL DATE
N.T.S.	TM	JG	02/10/16
DRAWING NUMBER			REV
ABLM203011			0