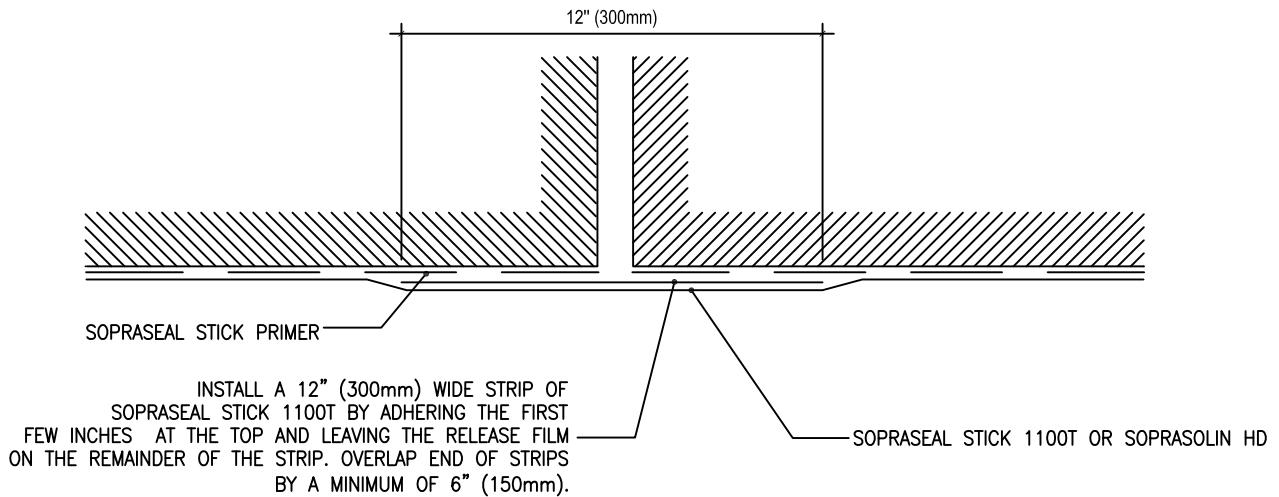



EXPANSION JOINT WITH SPRAY APPLIED MEMBRANES



EXPANSION JOINT WITH SELF-ADHESIVE MEMBRANE

NOTES:

1. DETAIL TO BE USED IN CONJUNCTION WITH SOPREMA GENERAL REQUIREMENTS AND APPROVED DETAILS.
2. AIR/VAPOR RETARDER TYPE AND PLACEMENT REQUIREMENTS ARE TO BE DETERMINED BY THE SPECIFIER
3. ADDITIONAL PRIMER OPTIONS ARE AVAILABLE. CONTACT SOPREMA.

		310 QUADRAL DRIVE WADSWORTH, OHIO 44281 (330) 334-0066	
		TITLE EXPANSION JOINT	
SCALE	DWN	CHK	APPROVAL DATE
N.T.S.	TM	JG	02/11/16
DRAWING NUMBER			REV
ABLM203010			0