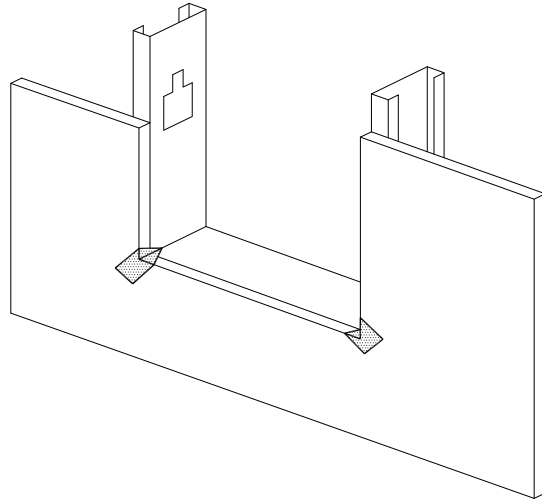
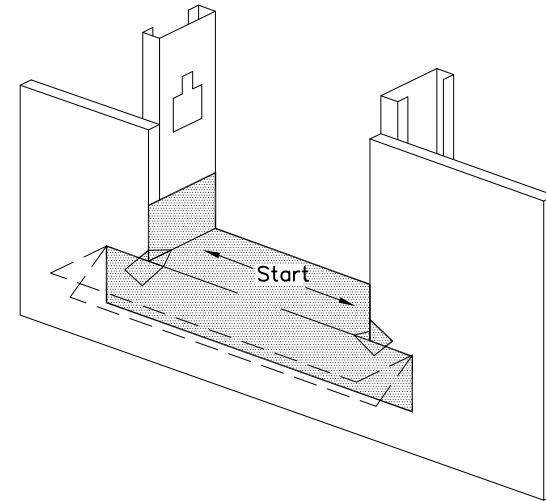


Step 1 – Prime window flashing area and install corner flashing

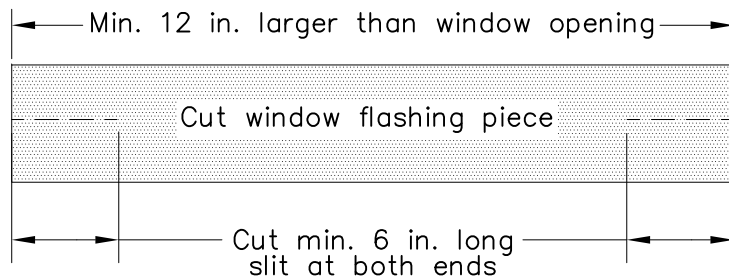
Apply a Soprema approved primer to all areas of the window frame and wall surface that will receive window flashing per Soprema requirements. Install corner flashings




Step 3 – Installing the Sill Flashing



Step 2 – Cutting the sill Flashing



DEPENDING ON WALL SYSTEM CONFIGURATIONS, APPROVED WINDOW FLASHING MEMBRANES ARE SOPRASEAL STICK 1100T, SOPRASEAL MESH OR SOPRASOLIN HD.

		310 QUADRAL DRIVE	
		WADSWORTH, OHIO 44281 (330) 334-0066	
TITLE WINDOW FLASHING DETAIL (1 OF 3)			
SCALE	DWN	CHK	APPROVAL DATE
NONE	TM	JG	02/10/16
DRAWING NUMBER			REV
ABLM202VP001			1

** USAGE OF THIS DRAWING IS GOVERNED BY THE TERMS OF SERVICE FOR SOPREMA DETAIL. PLEASE CONSULT THESE TERMS OF SERVICE PRIOR TO UTILIZING THIS DRAWING.