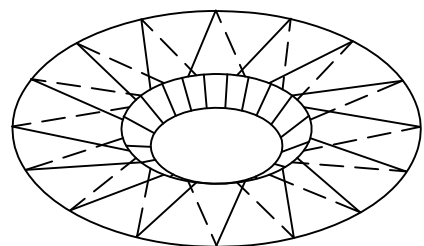


R-NOVA + BLUE AND ALSAN POLYFLEECE ST MEMBRANE FINGER FLASHING EXTENDED MINIMUM 4" (10cm) INTO PREPARED & CLEANED DRAIN BOWL.

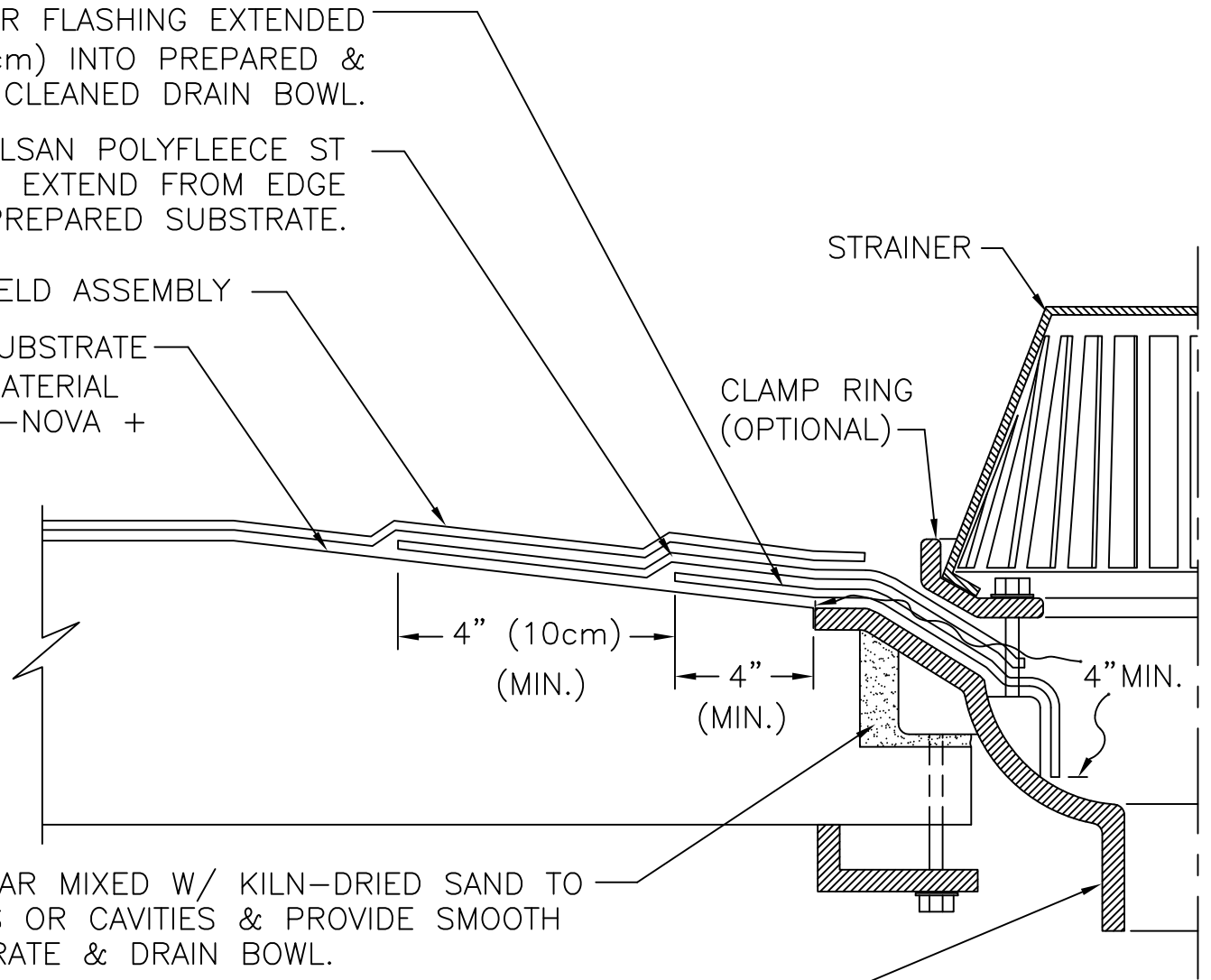
R-NOVA + BLUE AND ALSAN POLYFLEECE ST MEMBRANE TARGET FLASHING EXTEND FROM EDGE OF DRAIN BOWL ONTO PREPARED SUBSTRATE.

R-NOVA + FIELD ASSEMBLY

PREPARE, LEVEL & PATCH SUBSTRATE W/ ACCEPTABLE PATCHING MATERIAL PRIOR TO APPLICATION OF R-NOVA + MEMBRANE (TYP.)



ISOMETRIC VIEW



ACCEPTABLE PATCHING MORTAR MIXED W/ KILN-DRIED SAND TO SET DRAIN BOWL, FILL VOIDS OR CAVITIES & PROVIDE SMOOTH TRANSITION BETWEEN SUBSTRATE & DRAIN BOWL.

ACCEPTABLE ROOF DRAIN ASSEMBLY PREPARE & PRIME DRAIN BOWL AS REQ'D. FOR SOPREMA R-NOVA+ MEMBRANE APPLICATION.

NOTES:

1. DETAIL TO BE USED IN CONJUNCTION WITH SOPREMA GENERAL REQUIREMENTS, APPLICATION METHODS AND APPROVED DETAILS.
2. R-NOVA + MATRIX CAN ALSO BE USED IN LIEU OF THE FULLY REINFORCED R-NOVA + FLASHING SYSTEM FOR FLASHING APPLICATIONS. SEE R-NOVA + MATRIX PRODUCT DATA SHEET FOR COVERAGE RATES AND ADDITIONAL INFORMATION.

		310 QUADRAL DRIVE	
		WADSWORTH, OHIO 44281	
		(330) 334-0066	
TITLE			
R-NOVA + ROOF DRAIN FLASHING			
SCALE	DWN	CHK	APPROVAL DATE
NONE	TM	RS	03/27/12
DRAWING NUMBER			REV
RNOVA+ 007			0

** USAGE OF THIS DRAWING IS GOVERNED BY THE TERMS OF SERVICE FOR SOPREMA DETAIL. PLEASE CONSULT THESE TERMS OF SERVICE PRIOR TO UTILIZING THIS DRAWING.