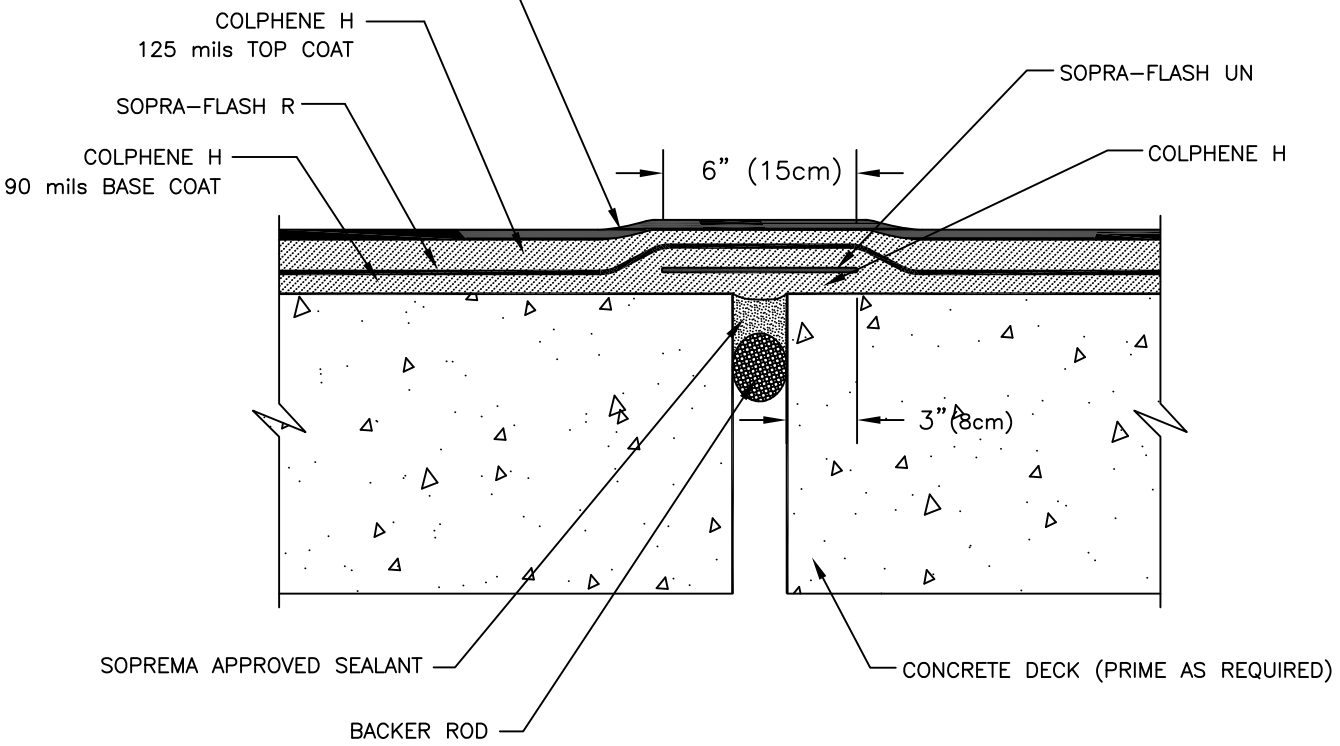



COLPHENE SANDED, COLPHENE 180 SANDED
OR OTHER SOPREMA APPROVED PROTECTION COURSE



NOTES:

1. SOPRA-FLASH UN FLASHING STRIP SHALL BE 6" WIDE AND CENTERED OVER JOINT.
2. DETAIL TO BE USED IN CONJUNCTION WITH SOPREMA GENERAL REQUIREMENTS AND APPROVED DETAILS.

		310 QUADRAL DRIVE	
		WADSWORTH, OHIO 44281 (330) 334-0066	
TITLE			
EXPANSION JOINT UP TO 1" WIDTH			
SCALE	DWN	CHK	APPROVAL DATE
NONE	TM	JP	11/24/09
DRAWING NUMBER			REV
HRW-500			0

** USAGE OF THIS DRAWING IS GOVERNED BY THE TERMS OF SERVICE FOR SOPREMA DETAIL. PLEASE CONSULT THESE TERMS OF SERVICE PRIOR TO UTILIZING THIS DRAWING.