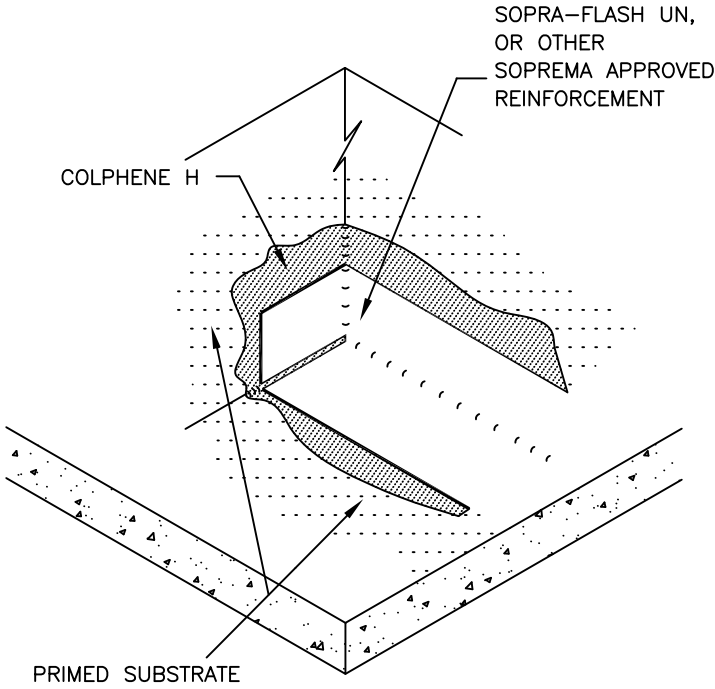
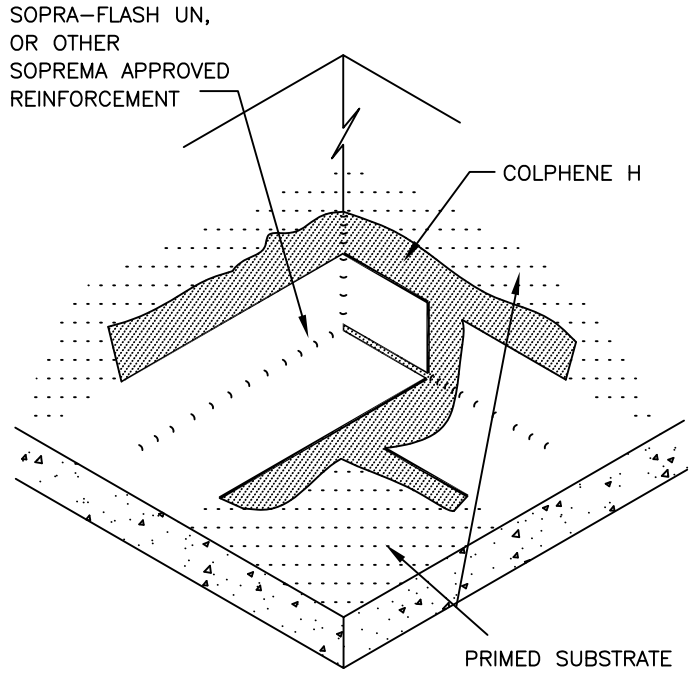


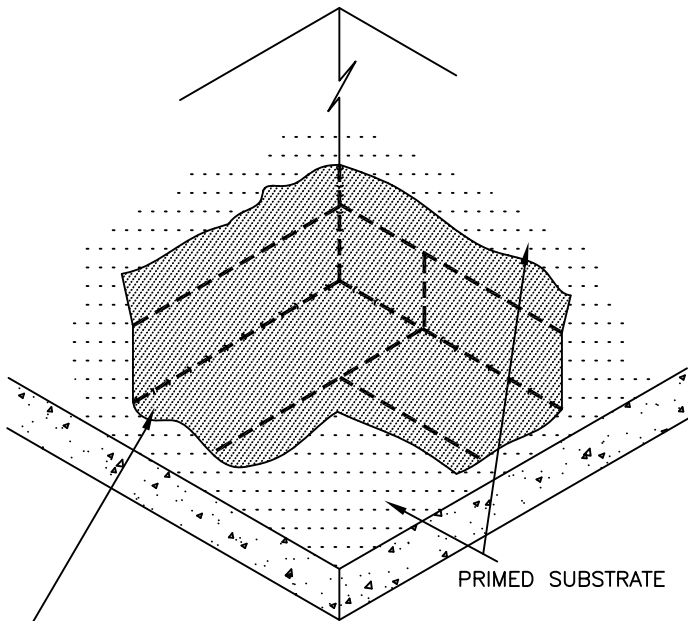
STEP #1



STEP #2




STEP #3



COMPLETELY COAT REINFORCING MEMBRANE WITH COLPHENE H IMMEDIATELY AFTER INSTALLATION

NOTES:

1. SUBSTRATE MUST BE PRIMED PRIOR TO THE INSTALLATION OF NEW MATERIALS.
2. COMPLETELY ENCAPSULATE REINFORCEMENT WITH A TOP COATING OF COLPHENE H IMMEDIATELY AFTER INSTALLATION. DO NOT LEAVE EXPOSED OVERNIGHT.
3. DETAIL TO BE USED IN CONJUNCTION WITH SOPREMA GENERAL REQUIREMENTS AND APPROVED DETAILS.

		310 QUADRAL DRIVE WADSWORTH, OHIO 44281 (330) 334-0066	
TITLE			
DECK TO WALL INSIDE CORNER			
SCALE	DWN	CHK	APPROVAL DATE
NONE	TM	JP	11/23/09
DRAWING NUMBER			REV
HRW-401			0

** USAGE OF THIS DRAWING IS GOVERNED BY THE TERMS OF SERVICE FOR SOPREMA DETAIL. PLEASE CONSULT THESE TERMS OF SERVICE PRIOR TO UTILIZING THIS DRAWING.