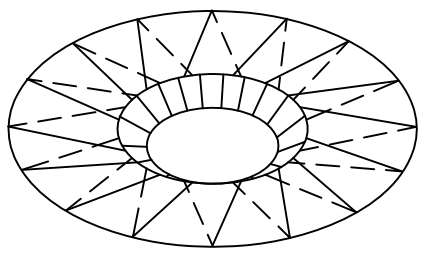


SOPREMA ALSAN RS MEMBRANE FINGER  
FLASHING EXTENDED MINIMUM 4" (10cm)  
INTO PREPARED & CLEANED DRAIN BOWL.

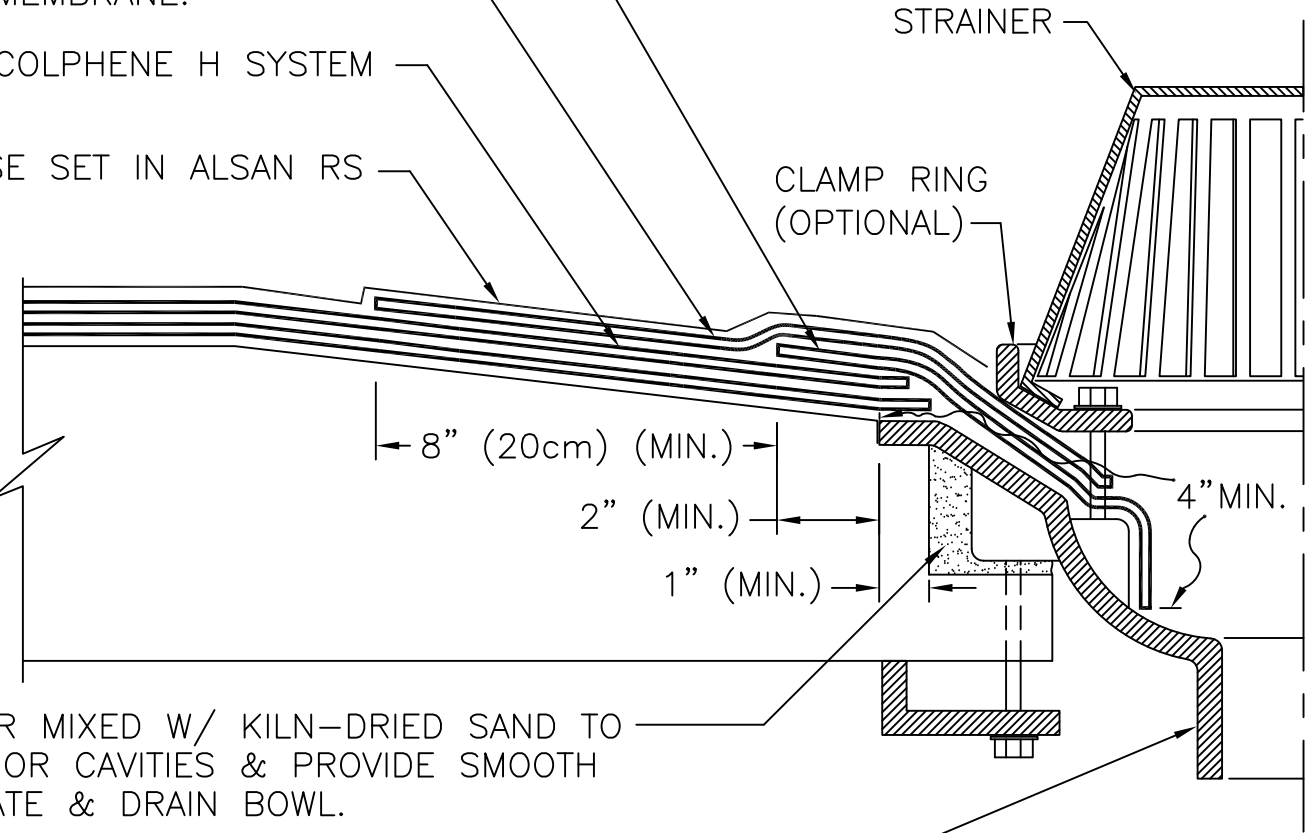
SOPREMA ALSAN RS MEMBRANE TARGET FLASHING  
EXTEND FROM EDGE OF DRAIN BOWL ONTO  
PREPARED AND CLEAN SBS MEMBRANE.

SOPREMA FULLY REINFORCED COLPHENE H SYSTEM

COLPHENE PROTECTION COURSE SET IN ALSAN RS  
WHILE WET



ISOMETRIC VIEW



ACCEPTABLE PATCHING MORTAR MIXED W/ KILN-DRIED SAND TO  
SET DRAIN BOWL, FILL VOIDS OR CAVITIES & PROVIDE SMOOTH  
TRANSITION BETWEEN SUBSTRATE & DRAIN BOWL.

ACCEPTABLE ROOF DRAIN ASSEMBLY PREPARE & PRIME DRAIN  
BOWL AS REQ'D. FOR SOPREMA ALSAN RS MEMBRANE  
APPLICATION.

NOTES:

1. DETAIL TO BE USED IN CONJUNCTION WITH SOPREMA GENERAL REQUIREMENTS, APPLICATION METHODS  
AND APPROVED DETAILS.

		310 QUADRAL DRIVE WADSWORTH, OHIO 44281 (330) 334-0066	
TITLE DRAIN FLASHING - ALSAN RS			
SCALE NONE	DWN TM	CHK MT	APPROVAL DATE 4/11/13
DRAWING NUMBER HRW-109A			REV 0

\*\* USAGE OF THIS DRAWING IS GOVERNED BY THE TERMS OF SERVICE FOR SOPREMA DETAIL.  
PLEASE CONSULT THESE TERMS OF SERVICE PRIOR TO UTILIZING THIS DRAWING.