

SOPREMA ALSAN RS MEMBRANE FINGER FLASHING
EXTENDED MINIMUM 4" (10cm) INTO PREPARED
& CLEANED DRAIN BOWL.

SOPREMA ALSAN RS MEMBRANE TARGET FLASHING
EXTEND FROM EDGE OF DRAIN BOWL ONTO
PREPARED & PRIMED SUBSTRATE.

SOPREMA ALSAN RS FIELD MEMBRANE

4" WIDE SOPREMA ALSAN RS MEMBRANE REINFORCEMENT
STRIP APPLIED OVER ALL JOINTS, ANGLE CHANGES AND
VOIDS. FILL JOINTS & Voids W/ACCEPTABLE PATCHING
MORTAR OR PASTE PRIOR TO APPLICATION OF SOPREMA
ALSAN RS MEMBRANE STRIPS.

MIN. 1" SOPREMA RIGID BOARD
INSULATION SECURELY ATTACHED
TO THE SUBSTRATE AS PER
SOPREMA REQUIREMENTS.

MIN. 1/4" SOPRABOARD OR
APPROVED MIN. 1/2"
RECOVERY BOARD BY OTHERS
SECURELY ATTACHED TO THE
SUBSTRATE AS PER SOPREMA
REQUIREMENTS.

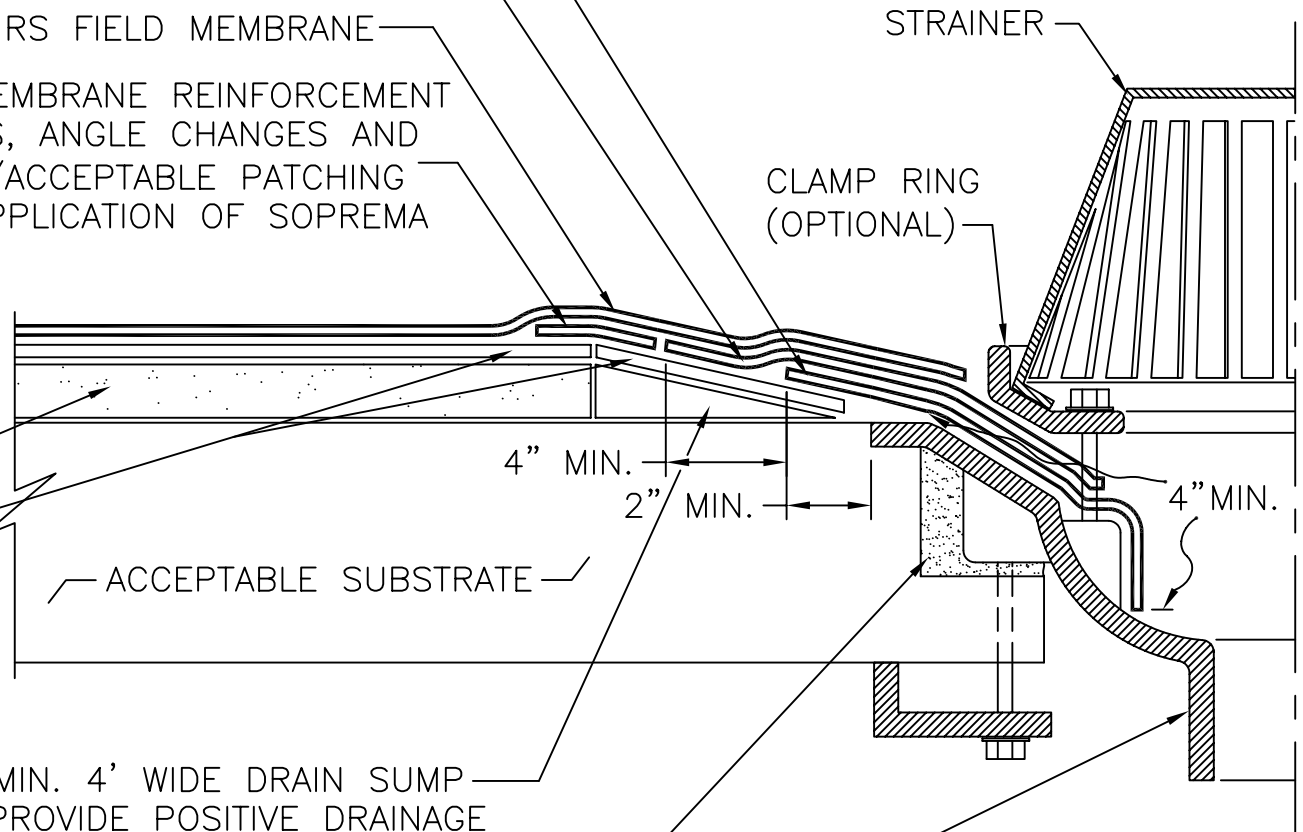
WHEN POSSIBLE INSTALL MIN. 4' WIDE DRAIN SUMP
USING TAPER BOARD TO PROVIDE POSITIVE DRAINAGE

ACCEPTABLE PATCHING MORTAR MIXED W/ KILN-DRIED SAND TO
SET DRAIN BOWL, FILL VOIDS OR CAVITIES & PROVIDE SMOOTH
TRANSITION BETWEEN SUBSTRATE & DRAIN BOWL.

ACCEPTABLE ROOF DRAIN ASSEMBLY PREPARE & PRIME DRAIN
BOWL AS REQ'D. FOR SOPREMA ALSAN RS MEMBRANE APPLICATION.

NOTES:

1. DETAIL TO BE USED IN CONJUNCTION WITH SOPREMA GENERAL REQUIREMENTS, APPLICATION METHODS AND APPROVED DETAILS.



310 QUADRAL DRIVE
WADSWORTH, OHIO 44281
(330) 334-0066

TITLE			
ROOF DRAIN FLASHING			
SCALE	DWN	CHK	APPROVAL DATE
NONE	DMT	MT	3/20/07
DRAWING NUMBER			REV
DI-1-RS			0

** USAGE OF THIS DRAWING IS GOVERNED BY THE TERMS OF SERVICE FOR SOPREMA DETAIL. PLEASE CONSULT THESE TERMS OF SERVICE PRIOR TO UTILIZING THIS DRAWING.