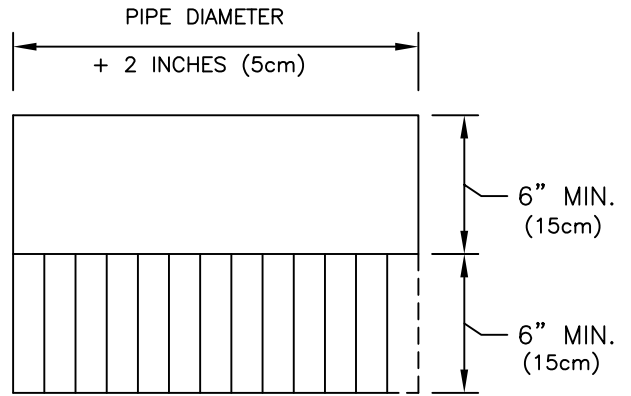
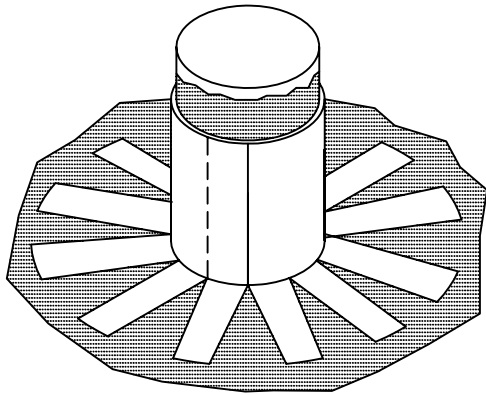


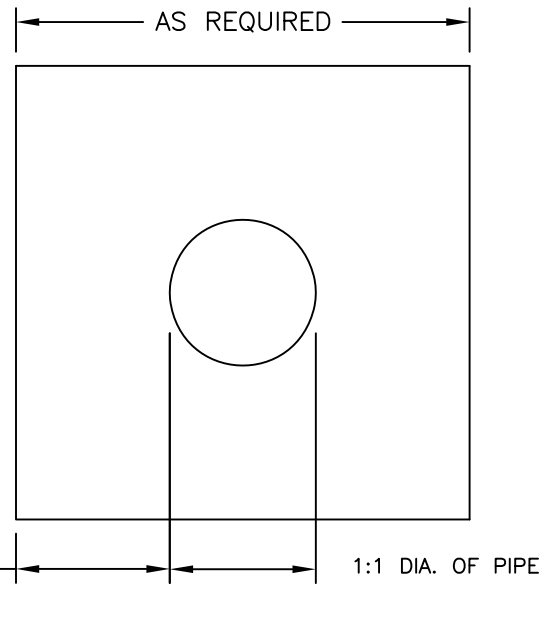
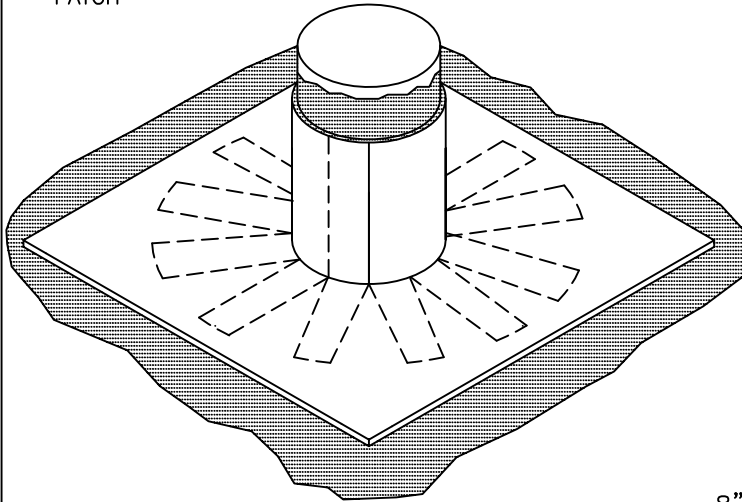
STEP 1:

CUT, THEN APPLY COLPHENE 3000 FINGER FLASHING IN COLPHENE LIQUID MEMBRANE AROUND PIPE. INSURE VERTICAL SHAFT OF PIPE IS FULLY COATED WITH COLPHENE LIQUID MEMBRANE. SEAL AND CAULK MEMBRANE AT LAP EDGE ON VERTICAL LAP EDGE OF THE MEMBRANE.



STEP 2:

CUT, THEN APPLY COLPHENE 3000 TARGET PATCH IN A FULL BED OF COLPHENE LIQUID MEMBRANE INSURE ALL SERATED EDGES OF FINGER FLASHING ARE FULLY EMBEDDED IN COLPHENE LIQUID MEMBRANE AND COVERED BY FIRMLY SEATED TARGET PATCH



NOTES:

1. DETAIL TO BE USED IN CONJUNCTION WITH SOPREMA GENERAL REQUIREMENTS AND APPROVED DETAILS.
2. REMOVE ALL POSSIBLE CONTAMINANTS FROM ALL PIPE PENETRATIONS. PRIME, SAND AND PREPARE ALL PIPE SURFACES, THIS IS NECESSARY TO INSURE PROPER ADHESION
3. DETAIL IS TYPICAL FOR ALL STANDARD PIPE PENETRATIONS INCLUDING CONDUIT, PIPES AND VENTS
4. ALL PENETRATIONS MUST BE FIRMLY AND PROPERLY ANCHORED TO PROHIBIT ANY MOVEMENT
5. ALL VOIDS MUST BE SOLIDLY GROUTED OR APPROPRIATELY FILLED TO FORM A CLEAN, DRY AND SUITABLE SUBSTRATE

		310 QUADRAL DRIVE	
		WADSWORTH, OHIO 44281	
		(330) 334-0066	
TITLE TYPICAL PIPE FLASHING CUTTING DIAGRAM			
SCALE	NONE	DWN TM	CHK JP
DRAWING NUMBER		APPROVAL DATE	
BGW-5b		02/14/11	
			REV 0

** USAGE OF THIS DRAWING IS GOVERNED BY THE TERMS OF SERVICE FOR SOPREMA DETAIL. PLEASE CONSULT THESE TERMS OF SERVICE PRIOR TO UTILIZING THIS DRAWING.