

APPROVED SEALANT AND BACKER ROD AS REQUIRED

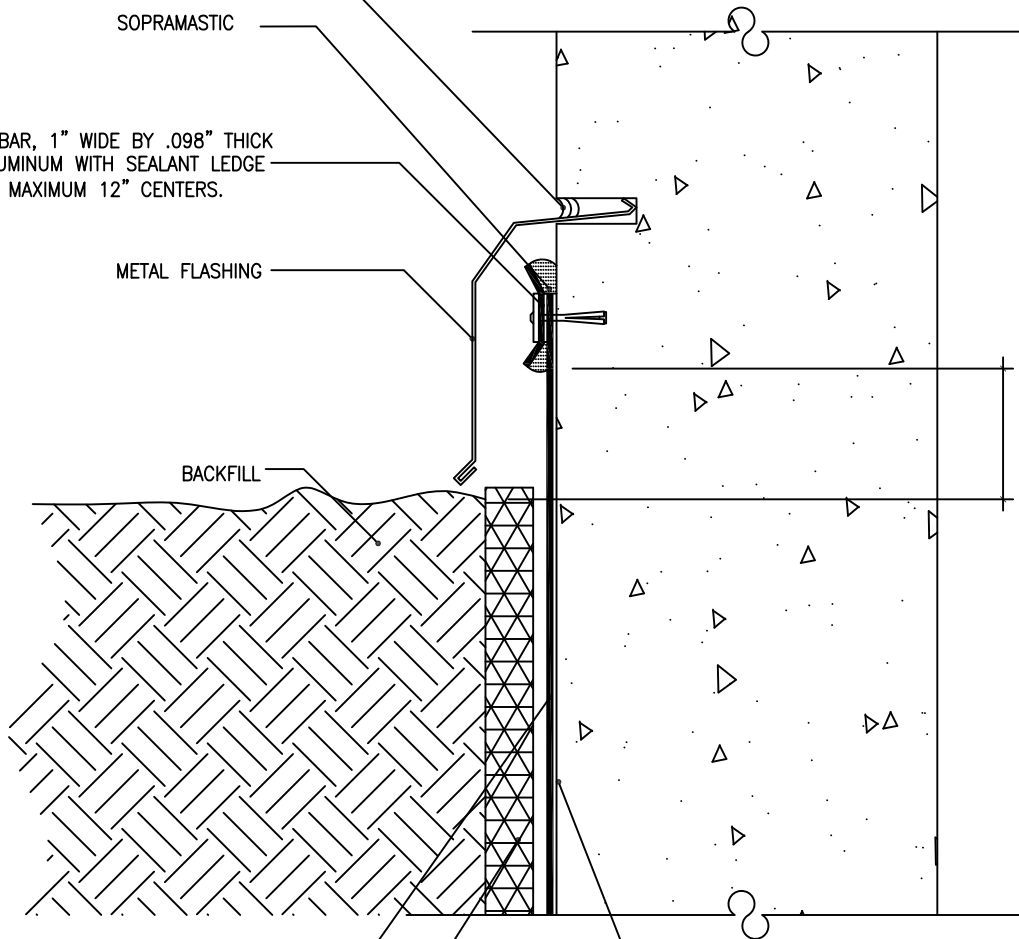
SOPRAMASTIC

TERMINATION BAR, 1" WIDE BY .098" THICK
EXTRUDED ALUMINUM WITH SEALANT LEDGE
FASTENED ON MAXIMUM 12" CENTERS.

METAL FLASHING

BACKFILL

WATERPROOFING
TERMINATION 3"
MINIMUM ABOVE
GRADE



COLPHENE 3000

APPROVED PRIMER

SOPRABOARD, SOPREMA APPROVED
PROTECTION BOARD AND/OR
SOPRADRAIN
INSULATION NOT SHOWN
(IF REQUIRED)

NOTES:

1. DETAIL TO BE USE IN CONJUNCTION WITH SOPREMA GENERAL REQUIREMENTS, APPLICATION METHODS AND APPROVED DETAILS.
2. MINIMUM $\frac{1}{4}$ " TO MAXIMUM $\frac{1}{2}$ " SPACING BETWEEN LENGTHS OF TERMINATION BAR: ADD ADDITIONAL FASTENERS AS NEEDED TO ACHIEVE AND MAINTAIN COMPRESSION OF FLASHING MATERIALS.



310 QUADRAL DRIVE
WADSWORTH, OHIO 44281
(330) 334-0066

TITLE				
WP MEMBRANE TERMINATION GRADE				
SCALE	DWN	CHK	APPROVAL DATE	
NONE	TM	JP	12/29/09	
DRAWING NUMBER				REV
BGW-3				0