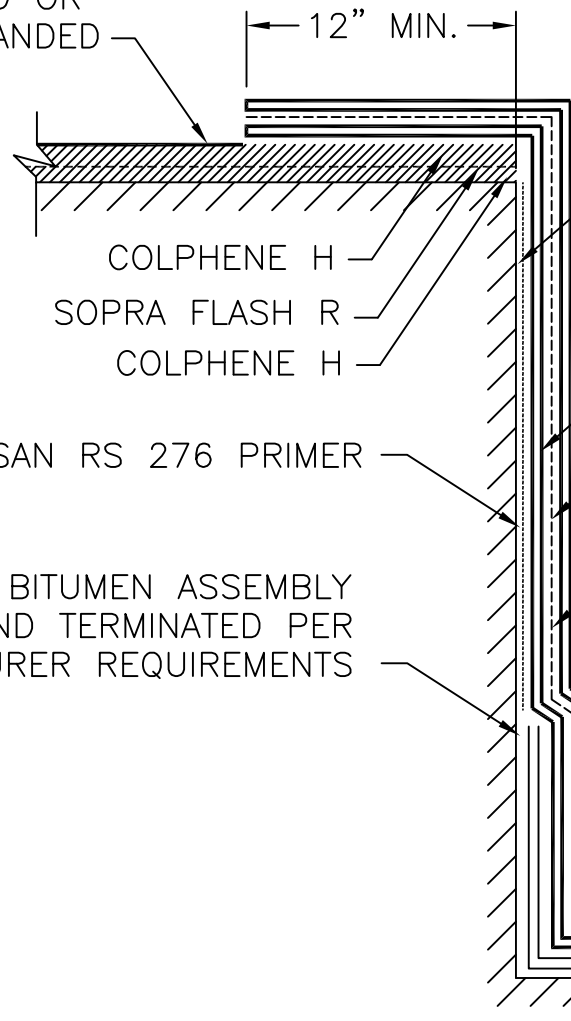


COLPHENE SANDED OR COLPHENE 180 SANDED

12" MIN.



PREPARE, LEVEL & PATCH SUBSTRATE W/ ALSAN RS PASTE OR ACCEPTABLE PATCHING MORTAR PRIOR TO APPLICATION OF SOPREMA ALSAN RS PRIMER & MEMBRANE (TYP.)

COLPHENE H
SOPRA FLASH R
COLPHENE H

ALSAN RS 230 FLASH
ALSAN RS FLEECE

ALSAN RS 276 PRIMER

ASSURE FULL SATURATION OF FLEECE & CONTACT W/SUBSTRATE.

2 PLY MODIFIED BITUMEN ASSEMBLY INSTALLED AND TERMINATED PER MANUFACTURER REQUIREMENTS


ALSAN RS 230 FLASH

12" MIN.

2 PLY MODIFIED ASSEMBLY WITH GRANULATED OR SANDED CAP SHEET

NOTES:

1. DETAIL TO BE USED IN CONJUNCTION WITH SOPREMA GENERAL REQUIREMENTS, APPLICATION METHODS AND APPROVED DETAILS.

		310 QUADRAL DRIVE	
		WADSWORTH, OHIO 44281 (330) 334-0066	
TITLE			
WALL STEP-UP FLASHING/TIE-IN DETAIL			
SCALE	DWN	CHK	APPROVAL DATE
NONE	TM	RS	8/29/13
DRAWING NUMBER			REV
B-15b-RS			0

** USAGE OF THIS DRAWING IS GOVERNED BY THE TERMS OF SERVICE FOR SOPREMA DETAIL. PLEASE CONSULT THESE TERMS OF SERVICE PRIOR TO UTILIZING THIS DRAWING.