

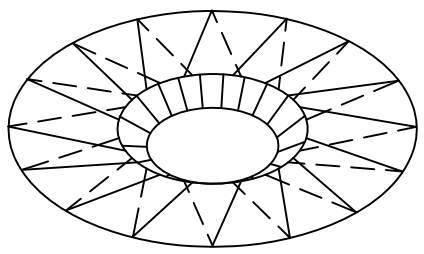
SOPREMA ALSAN FLASHING MEMBRANE  
 FINGER FLASHING EXTENDED MINIMUM 4"  
 (10cm) INTO PREPARED & CLEANED  
 DRAIN BOWL.

SOPREMA ALSAN FLASHING MEMBRANE TARGET  
 FLASHING EXTEND FROM EDGE OF DRAIN BOWL  
 ONTO PREPARED AND CLEAN SBS MEMBRANE.

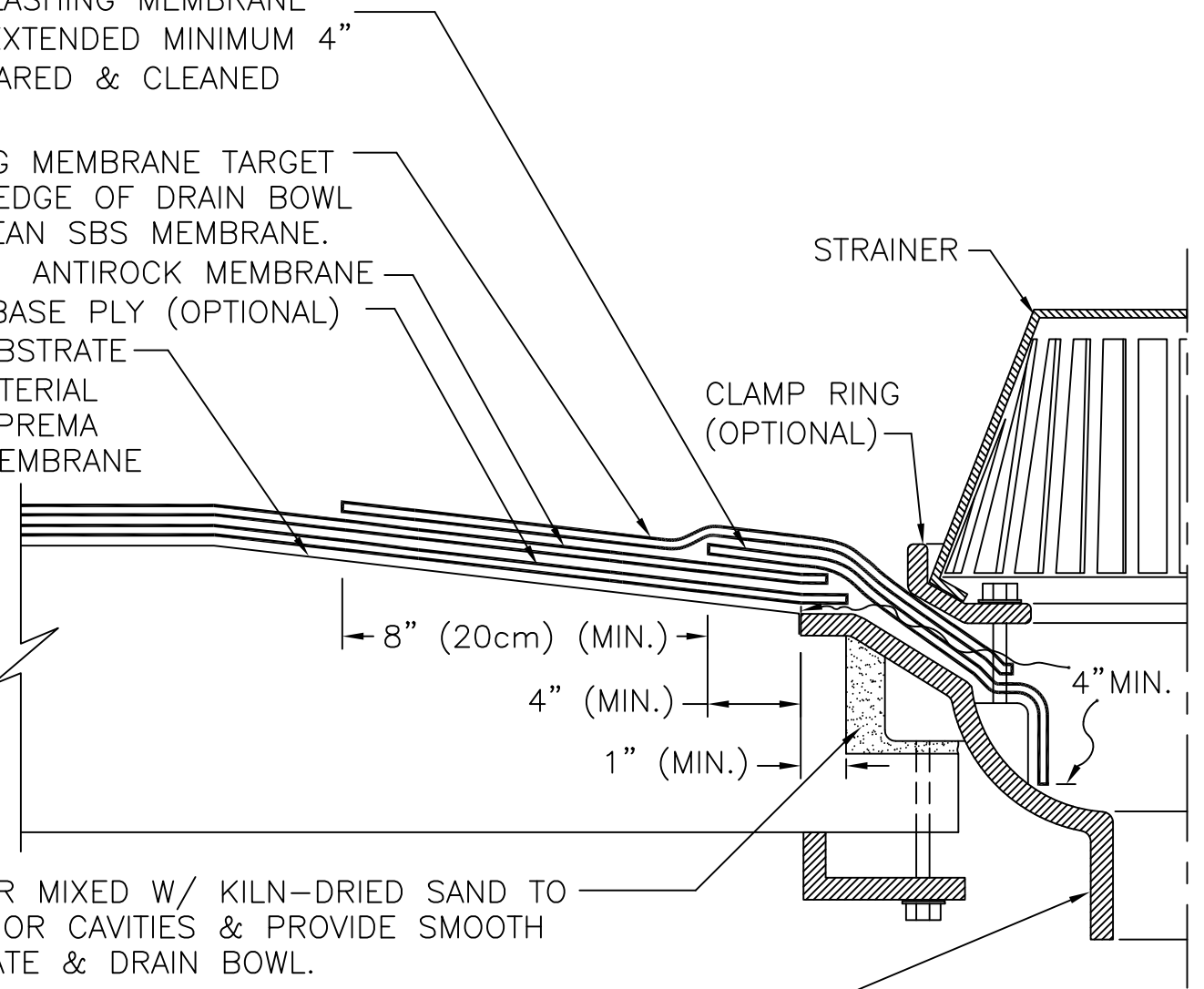
ANTIROCK MEMBRANE

COLPHENE FLAM 180 BASE PLY (OPTIONAL)

PREPARE, LEVEL & PATCH SUBSTRATE  
 W/ ACCEPTABLE PATCHING MATERIAL  
 PRIOR TO APPLICATION OF SOPREMA  
 ALSAN FLASHING PRIMER & MEMBRANE  
 (TYP.)



ISOMETRIC VIEW



ACCEPTABLE PATCHING MORTAR MIXED W/ KILN-DRIED SAND TO  
 SET DRAIN BOWL, FILL VOIDS OR CAVITIES & PROVIDE SMOOTH  
 TRANSITION BETWEEN SUBSTRATE & DRAIN BOWL.

ACCEPTABLE ROOF DRAIN ASSEMBLY PREPARE & PRIME DRAIN  
 BOWL AS REQ'D. FOR SOPREMA ALSAN FLASHING MEMBRANE  
 APPLICATION.

NOTES:

- 1. DETAIL TO BE USED IN CONJUNCTION WITH SOPREMA GENERAL REQUIREMENTS, APPLICATION METHODS AND APPROVED DETAILS.

		310 QUADRAL DRIVE WADSWORTH, OHIO 44281 (330) 334-0066	
		TITLE DRAIN FLASHING OVER ANTIROCK MEMBRANE	
SCALE	DWN	CHK	APPROVAL DATE
NONE	TM	RS	3/22/12
DRAWING NUMBER			REV
ANT10			0

\*\* USAGE OF THIS DRAWING IS GOVERNED BY THE TERMS OF SERVICE FOR SOPREMA DETAIL. PLEASE CONSULT THESE TERMS OF SERVICE PRIOR TO UTILIZING THIS DRAWING.