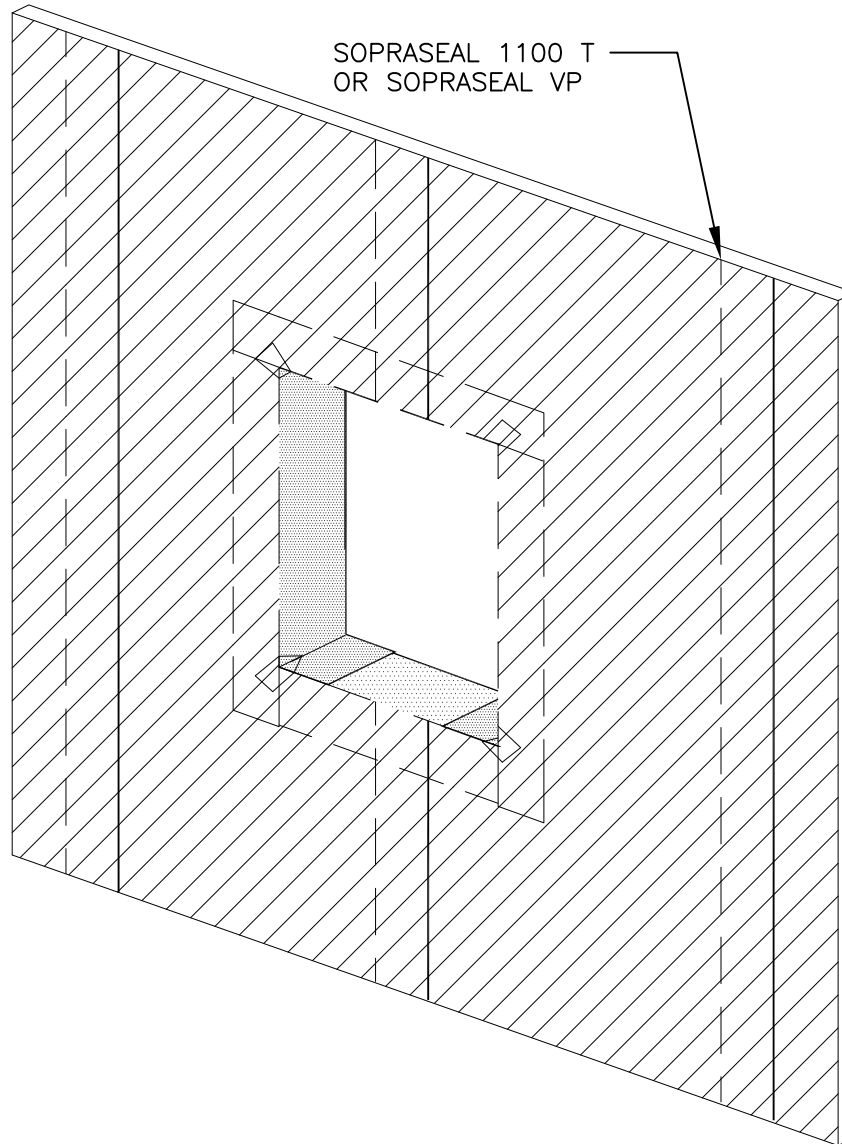



Step 7a – Installing Field Membrane (Self Adhered)



AFTER PRIMING THE SUBSTRATE APPLY SELF ADHERED AIR AND VAPOR BARRIER WITH A 2" MIN. LAP AND ROLL FIRMLY INTO PLACE. MEMBRANE CAN BE APPLIED IN A HORIZONTAL OR VERTICAL FASHION. THE USE OF A PRIMER WITH SOPRASEAL STICK VP IS OPTIONAL.

		310 QUADRAL DRIVE WADSWORTH, OHIO 44281 (330) 334-0066	
		TITLE WINDOW FLASHING DETAIL (3 OF 3)	
SCALE	DWN	CHK	APPROVAL DATE
NONE	TM	RS	8/20/12
DRAWING NUMBER			REV
ABVP003			1

** USAGE OF THIS DRAWING IS GOVERNED BY THE TERMS OF SERVICE FOR SOPREMA DETAIL. PLEASE CONSULT THESE TERMS OF SERVICE PRIOR TO UTILIZING THIS DRAWING.