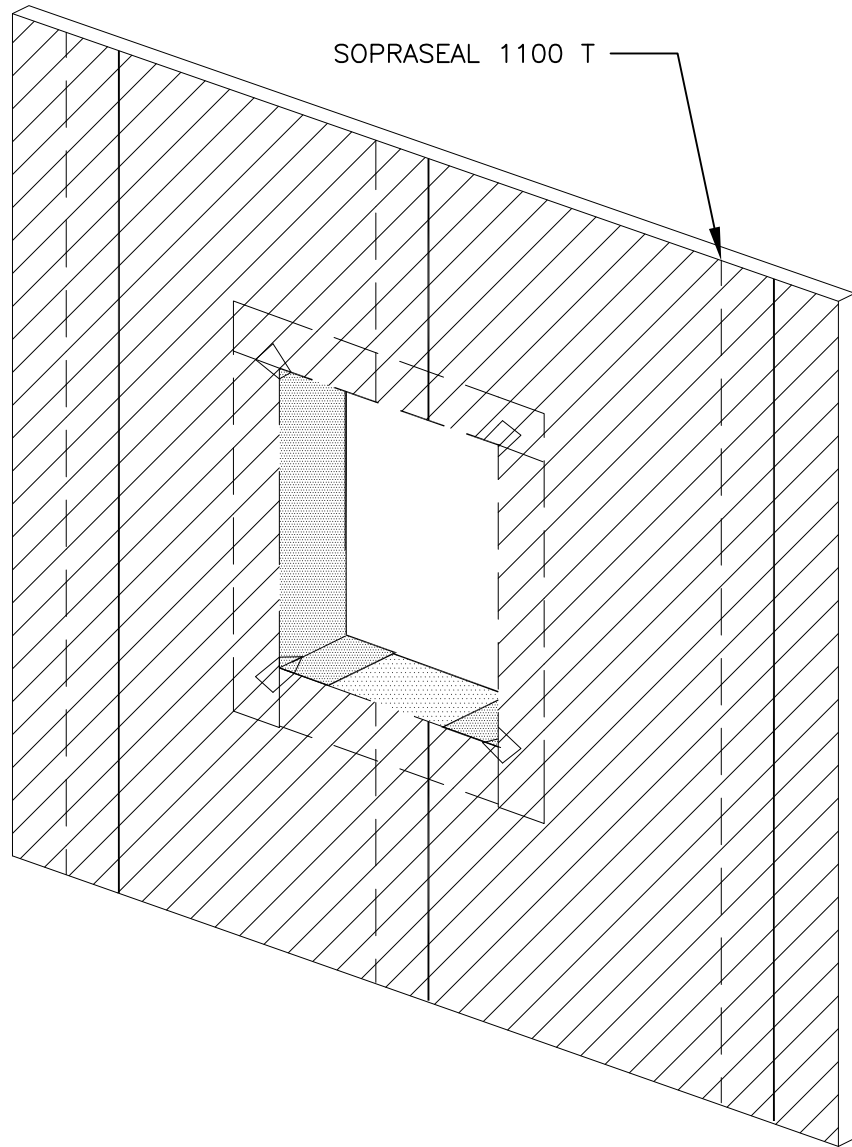


Step 7a – Installing Field Membrane (Self Adhered)



AFTER PRIMING THE SUBSTRATE APPLY SELF ADHERED AIR AND VAPOR BARRIER WITH A 2" MIN. LAP AND ROLL FIRMLY INTO PLACE. MEMBRANE CAN BE APPLIED IN A HORIZONTAL OR VERTICAL FASHION.



310 QUADRAL DRIVE
WADSWORTH, OHIO 44281
(330) 334-0066

TITLE			
WINDOW FLASHING DETAIL (3 OF 3)			
SCALE	DWN	CHK	APPROVAL DATE
NONE	TM	RS	8/20/12
DRAWING NUMBER			REV
AB1100T003			1

** USAGE OF THIS DRAWING IS GOVERNED BY THE TERMS OF SERVICE FOR SOPREMA DETAIL. PLEASE CONSULT THESE TERMS OF SERVICE PRIOR TO UTILIZING THIS DRAWING.